



***80 GALLON INDUSTRIAL
AIR COMPRESSOR***
OPERATOR'S MANUAL



CAUTION

**RISK OF INJURY! READ ENTIRE MANUAL BEFORE OPERATING!
THIS MANUAL IS AN IMPORTANT PART OF THE AIR COMPRESSOR
AND MUST REMAIN WITH THIS UNIT!**

CONTENTS

INTRODUCTION	3
IMPORTANT SAFETY INSTRUCTIONS	4
AIR COMPRESSOR SPECIFICATIONS	8
PUMP/MOTOR SPECIFICATIONS.....	8
AVAILABLE IN HORIZONTAL TANK, VERTICAL TANK AND BASE MOUNT UNITS	8
MOTOR SPECS.....	8
AIR COMPRESSOR FEATURES	9
80 GALLON VERTICAL COMPRESSOR 2 STAGE INDUSTRIAL	9
AIR COMPRESSOR FEATURES	10
80 GALLON HORIZONTAL COMPRESSOR 2 STAGE INDUSTRIAL.....	10
EXPLODED VIEW & EXPLANATION OF AIR COMPRESSOR FEATURES.....	11
PREPARATION INSTRUCTIONS.....	14
INITIAL SET-UP:.....	14
LOCATION:	14
ELECTRICAL.....	15
PRE-START CHECKLIST:	15
OPERATING INSTRUCTIONS.....	17
START-UP:	17
SHUTDOWN:	17
MAINTENANCE INSTRUCTIONS	18
TROUBLESHOOTING.....	19
STATEMENT OF WARRANTY	22

⚠ WARNING

⚠ WARNING: This product can expose you to chemicals including Lead, which is known to the State of California to cause cancer and birth defects or other reproductive harm. For more information go to www.P65Warnings.ca.gov

⚠ WARNING

⚠ WARNING: This product can expose you to chemicals including carbon monoxide, which is known to the State of California to cause birth defects or other reproductive harm. For more information go to www.P65Warnings.ca.gov

INTRODUCTION

Congratulations on the purchase of your new Mi-T-M® Air Compressor! You can be assured your Mi-T-M® Air Compressor was constructed with the highest level of precision and accuracy. Each component has been rigorously tested by technicians to ensure the quality, endurance and performance of this air compressor.

This operator's manual was compiled for your benefit. By reading and following the simple safety, installation and operation, maintenance and troubleshooting steps described in this manual, you will receive years of troublefree operation from your new Air Compressor. The contents of this manual are based on the latest product information available at the time of publication. The Manufacturer reserves the right to make changes in price, color, materials equipment, specifications or models at any time without notice.

IMPORTANT!

A "DANGER, WARNING or CAUTION" safety warning will be surrounded by a "SAFETY ALERT BOX". This box is used to designate and emphasize Safety Warnings that must be followed when operating this air compressor. Accompanying the safety warnings are "Signal Words" which designate the degree or level of hazard seriousness. The "Signal Words" used in this manual are as follows:

DANGER: INDICATES AN IMMINENTLY HAZARDOUS SITUATION WHICH, IF NOT AVOIDED, WILL RESULT IN DEATH OR SERIOUS INJURY.

WARNING: INDICATES A POTENTIALLY HAZARDOUS SITUATION WHICH, IF NOT AVOIDED, COULD RESULT IN DEATH OR SERIOUS INJURY.

CAUTION: INDICATES A POTENTIALLY HAZARDOUS SITUATION WHICH, IF NOT AVOIDED MAY RESULT IN MINOR OR MODERATE INJURY OR DAMAGE TO THE AIR COMPRESSOR.

The symbols set below are "Safety Alert Symbols". These symbols are used to call attention to items or procedures that could be dangerous to you or other persons using this equipment.



ALWAYS PROVIDE A COPY OF THIS MANUAL TO ANYONE USING THIS EQUIPMENT. READ ALL INSTRUCTIONS IN THIS MANUAL AND ANY INSTRUCTIONS SUPPLIED BY MANUFACTURERS OF SUPPORTING EQUIPMENT BEFORE OPERATING THIS AIR COMPRESSOR AND ESPECIALLY POINT OUT THE "SAFETY WARNINGS" TO PREVENT THE POSSIBILITY OF PERSONAL INJURY TO THE OPERATOR.

Once the unit has been uncrated, immediately write in the serial number of your unit in the space provided below.

SERIAL NUMBER _____

Inspect for signs of obvious or concealed freight damage. If damage does exist, file a claim with the transportation company immediately. Be sure that all damaged parts are replaced and that the mechanical and electrical problems are corrected prior to operation of the unit. If you require service, contact Mi-T-M® Customer Service.

Mi-T-M® Corporation, 50 Mi-T-M Drive, Peosta, IA 52068
563-556-7484 / 800-553-9053 / Fax 563-556-1235
Monday - Friday 8:00 a.m. - 5:00 p.m. CST

Please have the following information available for all service calls:


1. Model Number
2. Serial Number
3. Date and Place of Purchase

IMPORTANT SAFETY INSTRUCTIONS






READ ALL SAFETY WARNINGS BEFORE USING AIR COMPRESSOR






Hazard	Potential Consequence	Prevention
<p>RISK OF ELECTRIC SHOCK OR ELECTROCUTION</p> <div style="text-align: center; margin-top: 10px;">  </div>	<p>Serious injury or death could occur if the air compressor is not properly grounded. Your air compressor is powered by electricity and may cause electric shock or electrocution if not used properly.</p> <p>Electrical shock may occur if the air compressor is not operated properly.</p> <p>Serious injury or death may occur if electrical repairs are attempted by unqualified persons.</p>	<p>Installation of this unit, including all electrical connections, must comply with all local, state and national codes.</p> <p>This product must be grounded. Connect to a GFCI circuit breaker when available. If the unit should malfunction or breakdown, grounding provides a path of least resistance for electric current to reduce the risk of electric shock. Do not ground to a gas supply line.</p> <p>Improper connection of the equipment-grounding conductor can result in a risk of electrocution. Check with a qualified electrician or service personnel if you are in doubt as to whether the system is properly grounded.</p> <p>Always be certain the unit is receiving proper voltage (+/- 5% of the voltage listed on the nameplate). Before installing electrical connections, be certain the power switches are in the "OFF" position.</p> <p>Keep all connections dry and off the ground.</p> <p>Never operate air compressor in wet conditions.</p> <p>Never operate air compressor with safety guards/covers removed or damaged.</p> <p>Any electrical wiring or repairs performed on this air compressor should be done by Authorized Service Personnel in accordance with National and Local electrical codes.</p> <p>Before opening any electrical enclosure, always shut off the air compressor, relieve pressure and unplug the air compressor from the power source. Allow air compressor to cool down. Never assume the air compressor is safe to work on just because it is not operating. It could restart at any time! Service in a clean, dry, flat area.</p>


IMPORTANT SAFETY INSTRUCTIONS

Hazard	Potential Consequence	Prevention
<p>RISK OF EXPLOSION OR FIRE</p> <div style="text-align: center;">   </div>	<p>Serious injury or death may occur from normal electrical sparks in motor and pressure switch</p> <p>Serious injury may occur if any air compressor ventilation openings are restricted, causing the air compressor to overheat and start a fire.</p>	<p>Always operate air compressor in a well ventilated area free of flammable vapors, combustible dust, gases or other combustible materials.</p> <p>DO NOT SMOKE if spraying flammable material. Locate the air compressor at least 20 feet away from the spray area. (An additional hose may be required.)</p> <p>Never place objects against or on top of air compressor. Operate air compressor at least 12 inches away from any wall or obstruction that would restrict proper ventilation.</p>
<p>RISK OF BURSTING</p> <div style="text-align: center;">  </div>	<p>Serious injury or death may occur from an air tank explosion if air tanks are not properly maintained.</p> <p>Serious injury may occur from an air compressor malfunction or exploding accessories if incorrect system components, attachments or accessories are used.</p>	<p>Drain air tank daily or after each use to prevent moisture buildup in the air tank.</p> <p>If air tank develops a leak, replace the air tank immediately. Never repair, weld or make modifications to the air tank or its attachments. Use only genuine manufacturer repair parts for your air compressor.</p> <p>Never make adjustments to the factory set pressures.</p> <p>Never exceed manufacturers maximum allowable pressure rating of attachments.</p> <p>Because of extreme heat, do not use plastic pipe or lead tin soldered joints for a discharge line.</p> <p>Never use air compressor to inflate small, low pressure objects such as toys.</p>

IMPORTANT SAFETY INSTRUCTIONS

Hazard	Potential Consequence	Prevention
<p>RISK TO BREATHING</p> 	<p>Serious injury or death could occur from inhaling compressed air. The air stream may contain carbon monoxide, toxic vapors or solid particles.</p> <p>Sprayed materials such as paint, paint solvents, paint remover, insecticides, weed killers, etc. contain harmful vapors and poisons.</p>	<p>Never inhale air from the air compressor either directly or from a breathing device connected to the air compressor.</p> <p>Operate air compressor only in a well ventilated area. Follow all safety instructions provided with the materials you are spraying. Use of a respirator may be required when working with some materials.</p>
<p>RISK OF BURNS</p> 	<p>Serious injury could occur from touching exposed metal parts. These areas can remain hot for some time after the air compressor is shutdown.</p>	<p>Never allow any part of your body or other materials to make contact with any exposed metal parts on the air compressor.</p>
<p>RISK FROM FLYING OBJECTS</p> 	<p>Serious injury can occur from loose debris being propelled at a high speed from the compressed air stream.</p> <p>Soft tissue damage can occur from the compressed air stream.</p>	<p>Always wear safety glasses to shield the eyes from flying debris.</p> <p>Never point the air stream at any part of your body, anyone else or animals.</p> <p>Never leave pressurized air in the air compressor. Shut off air compressor and relieve pressure when storing or attempting maintenance.</p> <p>Always maintain a safe distance from people and animals while operating the air compressor.</p>

IMPORTANT SAFETY INSTRUCTIONS

Hazard	Potential Consequence	Prevention
<p>RISK FROM MOVING PARTS</p> 	<p>Risk of bodily injury from moving parts. This air compressor cycles (Starts/Stops) automatically when the pressure switch is in the "On/Auto" position.</p>	<p>Before performing maintenance, always turn off air compressor. Bleed pressure from the air hose and disconnect from the electrical source. All repairs to the air compressor should be made by an Authorized Service person. Never assume the air compressor is safe to work on just because it is not operating. It could restart at any time!</p> <p>Do not operate without protective covers/guards. Always unplug the air compressor before removing any guard. Replace damaged covers/guards before using the air compressor.</p>
<p>RISK FROM NEGLIGENCE</p>	<p>Risk of injury from negligent use.</p>	<p>Never allow children or adolescents to operate this air compressor!</p> <p>Stay alert-watch what you are doing. Do not operate the air compressor when fatigued or under the influence of alcohol or drugs.</p> <p>Know how to stop the air compressor. Be thoroughly familiar with controls.</p>
<p>RISK OF DAMAGE TO AIR COMPRESSOR</p>	<p>Risk of major repair.</p>	<p>Do not operate air compressor without an air filter.</p> <p>Do not operate air compressor in a corrosive environment.</p> <p>Always operate the air compressor secured to a concrete surface to prevent the air compressor from falling.</p> <p>Follow all maintenance instructions listed in this manual.</p>



! SAVE THESE INSTRUCTIONS !



AIR COMPRESSOR SPECIFICATIONS

PUMP/MOTOR SPECIFICATIONS

HP	Pump	Pump RPM	Motor RPM
5	3-0298	805	1750
5	3-0312	860	1750
7.5	3-0312	1250	1750

AVAILABLE IN HORIZONTAL TANK, VERTICAL TANK AND BASE MOUNT UNITS

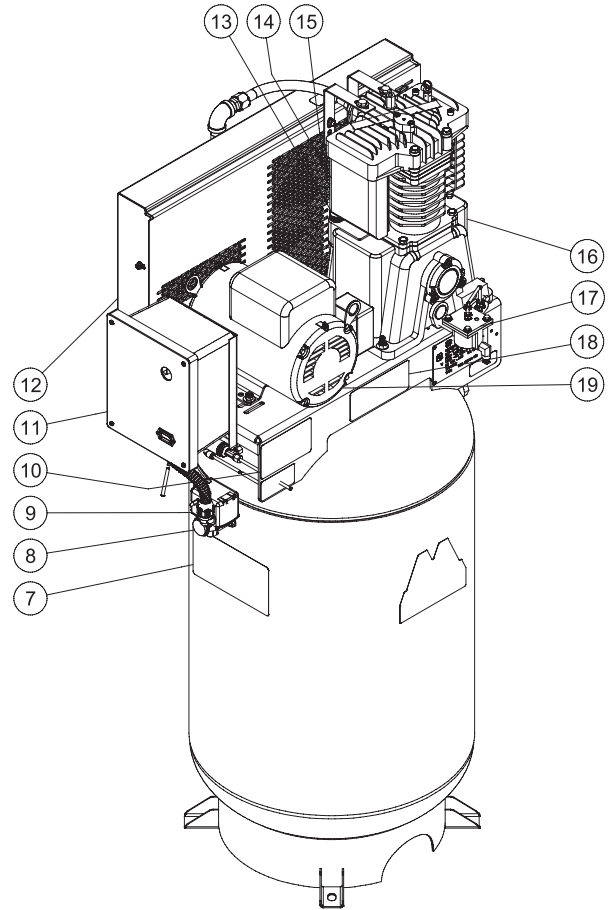
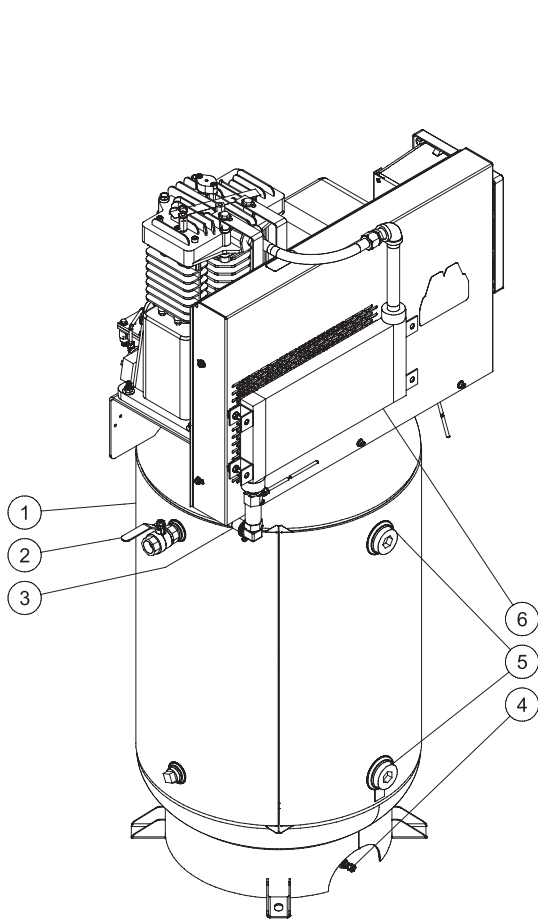
	Bolt Down L x W	Dimensions L x W x H
Base	21" x 13.5"	32.5" x 19" x 27.5"
Horizontal	20.75" x 23.5"	52" x 25.5" x 53"
Vertical	15.63" x 15.63"	33" x 25" x 73"

MOTOR SPECS

HP	Voltage	Amps	Phase
5	230	23.0	1
5	200	16.1	3
5	230/460	13.8/6.9	3
7.5	230	31.0	1
7.5	200	23.0	3
7.5	230/460	20/10	3

AIR COMPRESSOR FEATURES

80 GALLON VERTICAL COMPRESSOR 2 STAGE INDUSTRIAL (DOES NOT INCLUDE POWER CORD, POWER PLUG, PRESSURE REGULATOR)



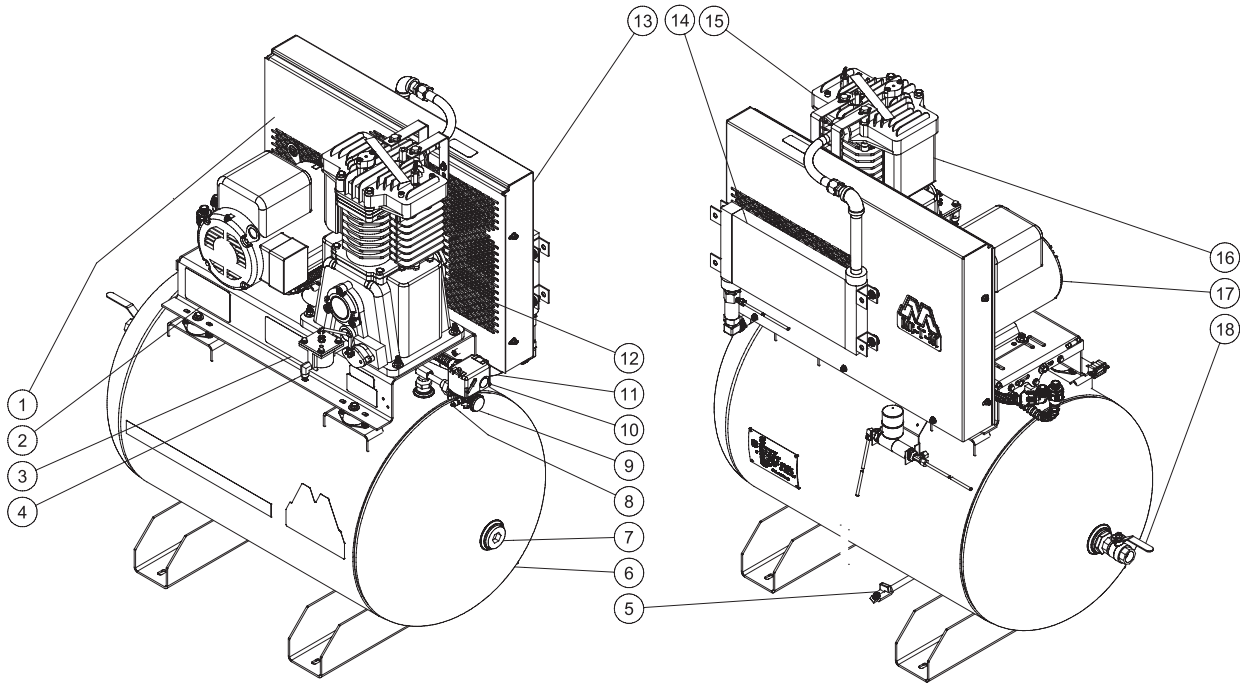
80 GAL VERTICAL 041612 KMD

1. Air Tank Assembly
2. Outlet Fitting
3. Pump Discharge Line
4. Pneumatic Tank Drain Option
5. Tank Inspection Openings
6. Aftercooler After Cooler
7. Decal - Danger/Warning/Caution
8. Air Tank Pressure Gauge
9. Motor Pressure Switch
10. Decal - Maintenance Instructions
11. Starter Option
12. Beltguard
13. Oil Fill Port
14. Air Intake Filter
15. Ventilation Openings
16. Air Compressor Pump
17. Low Oil Shutdown Option
18. Decal - Operating Instructions
19. Electric Motor

AIR COMPRESSOR FEATURES

80 GALLON HORIZONTAL COMPRESSOR 2 STAGE INDUSTRIAL

(DOES NOT INCLUDE POWER CORD, POWER PLUG, PRESSURE REGULATOR)

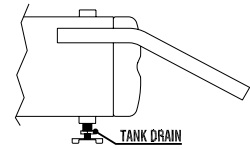


- | | |
|--------------------------------------|---------------------------|
| 1. Decal - Caution/Warning/Danger* | 10. Motor Pressure Switch |
| 2. Decal - Maintenance Instructions* | 11. Pump Discharge Line |
| 3. Decal - Operating Instructions* | 12. Ventilation Openings* |
| 4. Low Oil Shutdown Option | 13. Beltguard* |
| 5. Pneumatic Tank Drain Option | 14. Aftercooler Option |
| 6. Air Tank Assembly | 15. Air Compressor Pump* |
| 7. Tank Inspection Openings | 16. Air Intake Filter* |
| 8. Safety Relief Valve | 17. Electric Motor* |
| 9. Air Tank Pressure Gauge | 18. Outlet Fitting |

* Parts included on Base Mount unit

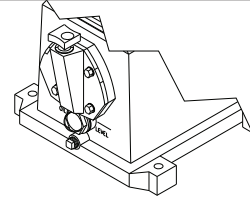
EXPLODED VIEW & EXPLANATION OF AIR COMPRESSOR FEATURES

AIR TANK DRAIN VALVE: The drain valve is used to remove moisture from the air tank(s) after the air compressor is shut off. NEVER attempt to open the drain valve when more than 10 PSI of air pressure is in the air tank! To open the drain valve, turn the knob counterclockwise.

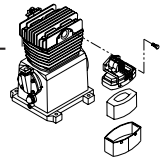


OIL SIGHT GLASS: The Oil Sight Glass displays the oil level in the pump. The oil level should be at the center of the Oil Sight Glass. If low, add SAE 30W non-detergent oil.

OIL FILL PORT/VENT: Pour oil into the Oil Fill Port/Vent when required.

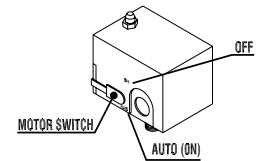


AIR INTAKE FILTER: This filter is designed to clean air coming into the pump. To ensure the pump continually receives a clean, cool, dry air supply this filter must always be clean and ventilation opening free from obstructions. Replace filter element when necessary.

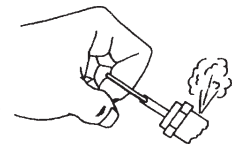


AIR COMPRESSOR PUMP: To compress air, the pistons move up and down in the cylinders. On the downstroke, air is drawn in through the air intake valves while the exhaust valves remain closed. On the upstroke, air is compressed, the intake valves close and compressed air is forced out through the exhaust valves, into the discharge line, through the check valve and/or the pilot valve and into the air tank.

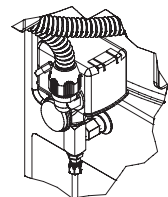
MOTOR/PRESSURE SWITCH: This switch is used to start or stop the air compressor. Moving the switch to the "Auto" (On) position will provide automatic power to the pressure switch which will allow the motor to start when the air tank pressure is below the factory set "cut-in" pressure. When in the Start/Stop Option, the pressure switch stops the motor when the air tank pressure reaches the factory set "cut-out" pressure. For safety purposes, this switch also has a pressure release valve located on the side of the switch designed to automatically release compressed air from the air compressor pump head and its discharge line when the air compressor reaches "cut-out" pressure or is shut off. This allows the motor to restart freely. Moving the switch to the "Off" position will remove power from the pressure switch and stop the air compressor.



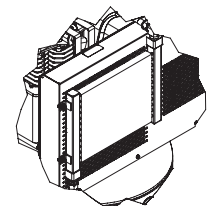
SAFETY RELIEF VALVE: This valve is designed to prevent system failures by relieving pressure from the system when the compressed air reaches a predetermined level. The valve is preset by the manufacturer and must not be modified in any way. To verify the valve is working properly, pull on the ring. Air pressure should escape. When the ring is released, it will reset.



AIR TANK PRESSURE GAUGE: The air tank pressure gauge indicates the reserve air pressure in the air tank.

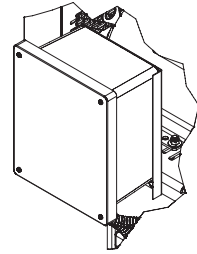


AFTER COOLER: Removes up to 65% of the moisture from discharged compressor air, it also lowers the gas temperature within 20 degrees of ambient.

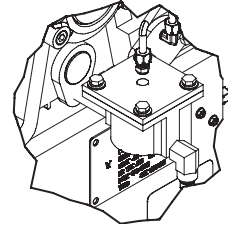


EXPLODED VIEW & EXPLANATION OF AIR COMPRESSOR FEATURES

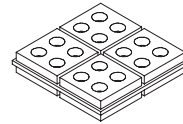
STARTER: the Motor starter provides thermal overload protection. The starter is required from on motors 5 Hp and above.



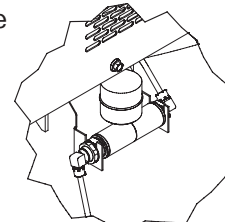
LOW OIL SHUT DOWN: the low oil sensor shuts the unit down when the oil levels fall below an adequate level.



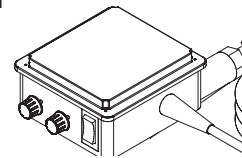
VIBRATION ISOLATOR PADS: Isolators protect the unit from vibration during use. They also make installation on unlevel surfaces easier.



PNEUMATIC DRAIN: Drains liquid from tank automatically as the water level rises in the tank.



ELECTRIC DRAIN: Drains liquid from the tank using a timer for frequency and duration of drain.





**THE FOLLOWING PAGES CONTAIN OPERATING AND MAINTENANCE
INSTRUCTIONS.**

**DO NOT ATTEMPT TO OPERATE THIS AIR COMPRESSOR UNTIL YOU HAVE
READ AND UNDERSTOOD ALL SAFETY PRECAUTIONS AND INSTRUCTIONS
LISTED IN THIS MANUAL.**

INCORRECT OPERATION OF THIS UNIT CAN CAUSE SERIOUS INJURY!!

**DO NOT ALTER OR MODIFY THIS EQUIPMENT
IN ANY MANNER!**

PREPARATION INSTRUCTIONS

INITIAL SET-UP:

1. Read safety warnings before setting-up air compressor.
2. Ensure the oil level in the air compressor pump is adequate. If low, add SAE-30W non-detergent oil.

⚠ WARNING RISK OF EXPLOSION OR FIRE CAUSING SERIOUS INJURY OR DEATH!



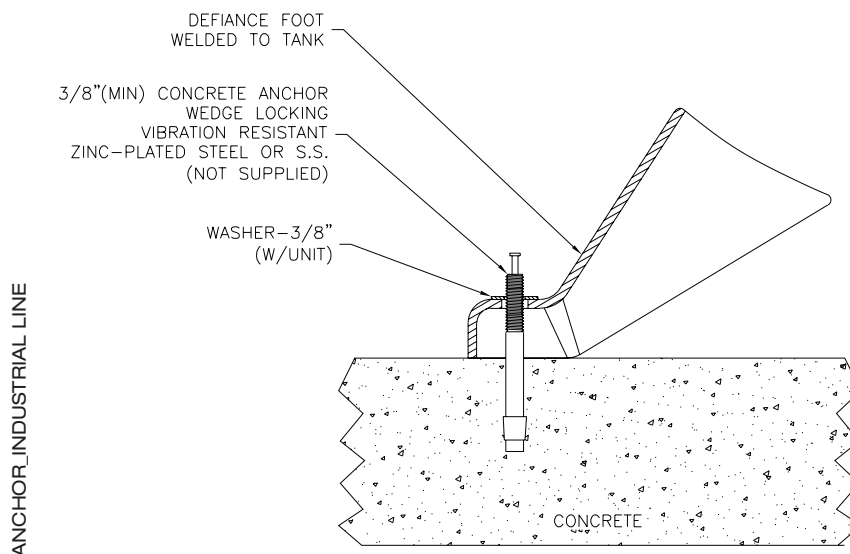
DO NOT ALLOW THE MOTOR OR MOTOR/PRESSURE SWITCH TO COME IN CONTACT WITH FLAMMABLE VAPORS, COMBUSTIBLE DUST, GASES OR OTHER COMBUSTIBLE MATERIALS. AN ELECTRIC SPARK MAY CAUSE AN EXPLOSION OR FIRE.



WHEN USING THE AIR COMPRESSOR FOR SPRAY PAINTING, PLACE THE AIR COMPRESSOR AS FAR AWAY FROM THE WORK AREA AS POSSIBLE.

LOCATION:

1. In order to avoid damaging the air compressor, do not incline the air compressor transversely or longitudinally more than 10°.
2. Place air compressor on a concrete surface at least 12 inches away from obstacles that may prevent proper ventilation. Place the flywheel side of the unit toward the wall. Do not place air compressor in an area:
 - where there is evidence of oil or gas leaks.
 - where flammable gas vapors or materials may be present.
 - where air temperatures fall below 32°F or exceed 104°F.
 - where extremely dirty air or water could be drawn into the air compressor.
3. Distribute air compressor weight evenly. Excessive vibration can weaken the air tank creating a hazard of explosion.
4. Bolt the air compressor to the concrete surface.
 - a. Mark the areas through the feet of the air compressor where anchor bolts will be placed.
 - b. Move the air compressor and drill holes in the marked areas to accept the anchor bolts.
 - c. Pound the anchor bolts into the pre-drilled holes.
 - d. Place the air compressor over the anchor bolts.




PREPARATION INSTRUCTIONS

ELECTRICAL

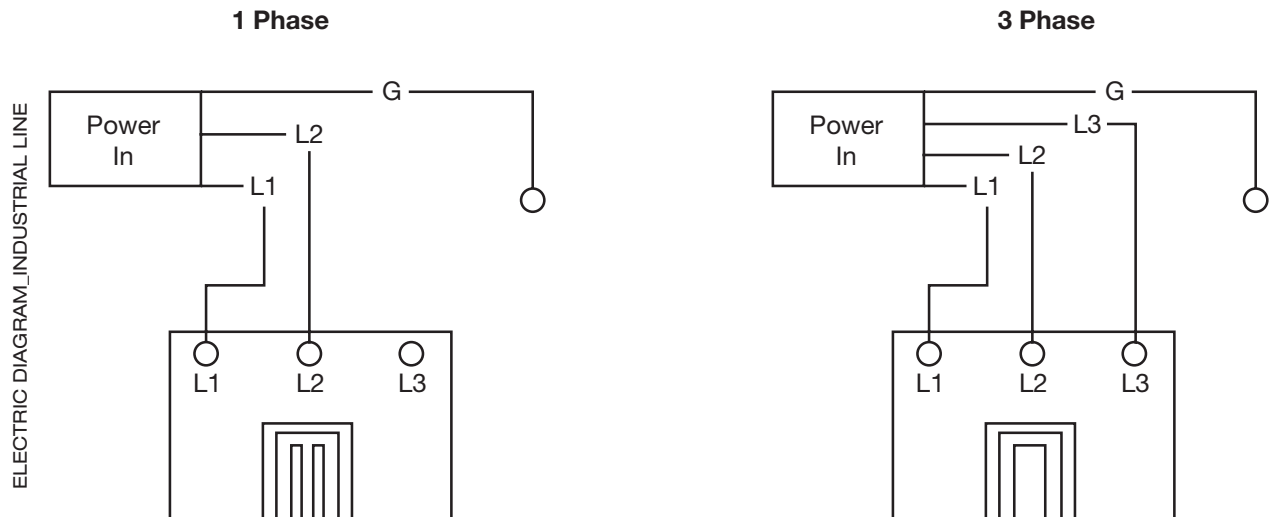
1. A qualified electrician **MUST** hook up the electrical system.
 - a. Verify the electrical supply at the power source is off.
 - b. Be certain all switches on the Control Panel and Pressure Switch are in the "OFF" position.
 - c. Make connections to the terminal as shown below.

 **DANGER RISK OF ELECTROCUTION!**

 **IMPROPER CONNECTION OF THE EQUIPMENT-GROUNDING CONDUCTOR CAN RESULT IN A RISK OF SHOCK OR ELECTROCUTION. CHECK WITH A QUALIFIED ELECTRICIAN OR SERVICE PERSONNEL IF YOU ARE IN DOUBT AS TO WHETHER THE OUTLET IS PROPERLY GROUNDED. THE WIRE WITH INSULATION HAVING AN OUTER SURFACE THAT IS GREEN WITH OR WITHOUT YELLOW STRIPES IS THE GROUNDING WIRE.**

 **WARNING RISK OF ELECTRICAL SHOCK!**

 **THIS PRODUCT MUST BE GROUNDED. IF THERE SHOULD BE A MALFUNCTION OR BREAKDOWN, GROUNDING PROVIDES A PATH OF LEAST RESISTANCE FOR ELECTRIC CURRENT TO REDUCE THE RISK OF ELECTRIC SHOCK.**

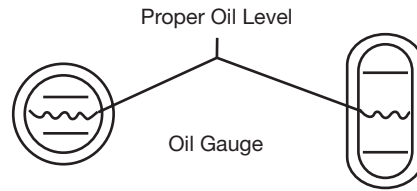


PRE-START CHECKLIST:

1. Check oil level. Add if necessary.
 - a. For proper lubrication the compressor shall not be operated below the minimum or above the maximum RPM recommended for the various models.
 - b. Maintain oil level mid-way between the upper and lower lines of the crankcase sight gage. Note the illustration:
 - c. Stop compressor to add and gauge oil.
 - d. Do not fill above the upper line and do not operate compressor with oil level below the lower line.
 - e. Change oil at the first 100 hours of operation and 1000 hours thereafter, or as required. It may be necessary to change oil more frequent due to abnormal humid and contaminated conditions.

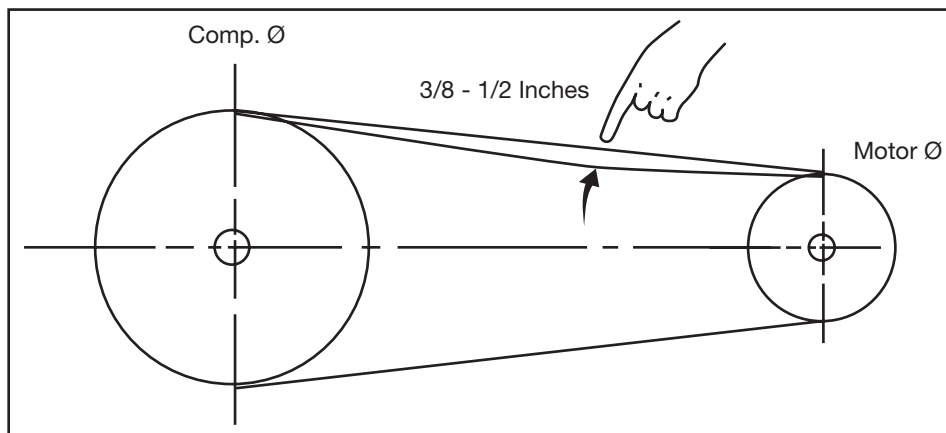
PREPARATION INSTRUCTIONS

2. Checking Belt Tension. The v-belt(s) should be adjusted so that a declination of about 3/8-1/2 inch will be obtained when it is pushed by a finger at the middle point as shown in figure.



CAUTION: OVER TIGHTENING THE V-BELT(S) WILL RESULT IN OVERLOADING OF THE MOTOR AND BELT FAILURE, WHILE A LOOSE BELT WILL BE SLIPPING AND RESULTING IN AN UNSTABLE SPEED, OVERHEATING THE BELT AND HIGH AMP DRAW.

To change tension, loosen the motor hold-down bolts and slide the motor on the base, using a lever if necessary, or by turning the adjusting bolt at the end of the base. Retighten motor hold-down bolts.



Note: Do not over tighten bolts.

Note: Electric Motor-grease once a year with a good grade of lithium ball bearing grease, or as directed by the motor manufacturer.

3. Remove any moisture in the air compressor air tank. NEVER attempt to open the Air Tank Drain Valve when more than 10 PSI is in the air tank! Remove excessive pressure with an air tool, then open the Air Tank Drain Valve in the bottom of the air tank. Close tightly when drained.
4. Make sure the Motor/Pressure Switch is in the "OFF" position.
5. Make sure the Safety Relief Valve is working correctly.
6. Make sure all guards and covers are in place and securely mounted.

WARNING RISK OF BODILY INJURY! NEVER ATTEMPT TO OPEN THE AIR TANK DRAIN VALVE WHEN MORE THAN 10 PSI OF AIR PRESSURE IS IN THE AIR TANK!

OPERATING INSTRUCTIONS

START-UP:

1. Read safety warnings before performing operation.
2. a.) Move the Motor/Pressure Switch to the "AUTO" position.
b.) Rotate the Cam Switch counter-clockwise to the Auto Start/Stop position.
3. If you notice any unusual noise or vibration, stop the air compressor and refer to "Troubleshooting".

SHUTDOWN:

1. To stop the air compressor,
 - a.) Move the Motor/Pressure Switch to the "OFF" position or
 - b.) Rotate the Cam Switch to the center "OFF" position.
2. Drain air from the air tanks by releasing air with an attached air tool or by pulling on the Safety Relief Valve.
3. Once the Air Tank Pressure Gauge registers under 10 PSI, open the Air Tank Drain Valve under the air tank to drain any moisture.
4. Allow the air compressor to cool down, then wipe clean.

MAINTENANCE INSTRUCTIONS

Read the instruction manual before performing maintenance. The following procedures must be performed when stopping the air compressor for maintenance or service.

1. Turn off air compressor.
2. Open all drains after the tank gauge registers under 10 PSI.
3. Wait for the air compressor to cool before starting service.



WARNING RISK OF BODILY INJURY!

NEVER ASSUME THE AIR COMPRESSOR IS SAFE TO WORK ON JUST BECAUSE IT IS NOT OPERATING. IT COULD RESTART AT ANY TIME!

AC Ele. Maintenance Chart				
MAINTENANCE CHART				
PROCEDURE	DAILY	WEEKLY	MONTHLY	1000 HOURS
Check pump oil level	X			
Oil leak inspection	X			
Drain condensation in air tank (s)	X			
Inspect guards/covers	X			
Check for unusual noise/vibration	X			
Check for air leaks	X			
Clean exterior of compressor		X		
Inspect air filter		X		
Inspect belt			X	
Check safety relief valve			X	
Change pump oil *				X
Replace air filter				X

*THE PUMP OIL MUST BE CHANGED AFTER THE FIRST 100 HOURS OF OPERATION AND EVERY 1000 HOURS OR 3 MONTHS, WHICHEVER COMES FIRST. EVERY TWO YEARS, AN AUTHORIZED SERVICE TECHNICIAN SHOULD CHECK THE CHECK VALVE, INTAKE VALVES AND DELIVERY VALVES.

TROUBLESHOOTING

SYMPTOM	PROBABLE CAUSE	REMEDY
Air compressor will not start.	Motor/Pressure Switch turned "OFF".	Move Motor/Pressure Switch to "AUTO" position.
	Motor Thermal Overload tripped on air compressor.	Turn unit off, wait 5 minutes, then press Motor Thermal Overload until click is heard.
	Circuit breaker tripped or fuse blown at power source.	Reset circuit breaker or replace fuse if necessary, using only "Fu-setron" type T fuses. Check for low voltage conditions. Disconnect any other electrical appliances from circuit or operate air compressor on its own branch circuit.
	Motor voltage does not match power source.	Contact your Customer Service.
	Air tank pressure achieved the "Maximum setting" or "Stop pressure" of the Motor/Pressure Switch.	The motor will start automatically when air tank pressure drops down to the "Cut-in" or "Start" pressure of the Motor/Pressure Switch.
	Pressure release valve on Motor/Pressure Switch has not unloaded pump head pressure.	Bleed the line by moving the switch to the "Off" position.
	Pilot valve's check valve stuck open.	Remove and clean or replace.
Air compressor will not start, but motor hums, then stops.	Defective motor, or Motor/Pressure Switch.	Contact your Customer Service.
	Low oil level (if unit is equipped with Low Oil Sensor)	Add oil to pump
	Loose electrical connection.	Contact qualified electrician.
	Too many appliances being operated on same circuit.	Use another circuit or remove excess appliances from circuit.
Air compressor does not stop even though the maximum pressure allowed has been reached.	Incorrect voltage, incorrect sized circuit breaker, fuse or motor.	Contact qualified electrician.
	Defective motor.	Replace.
	Defective Check Valve or Motor/Pressure Switch.	Replace.
	Motor/Pressure Switch not operating correctly.	Replace

TROUBLESHOOTING

SYMPTOM	PROBABLE CAUSE	REMEDY
Noisy operation.	Loose motor pulley or pump flywheel.	Tighten pulley and or flywheel.
	Lack of oil in the pump.	Add correct amount of oil.
	Carbon deposits on pistons or valves.	Remove cylinder head and inspect. Clean or replace valve plate.
	Bearing, piston or connecting rod failure.	STOP THE AIR COMPRESSOR! Contact Mi-T-M® Customer Service.
Pressure drop in air tank or rapid pressure loss when air compressor is shut off.	Air leaks at connections.	Allow the air compressor to build pressure to the maximum allowed. Turn off and brush a soapy water solution onto all connections. Check connections for air bubbles. Tighten the connections where leaks are present.
	Defective Check Valve or Pilot Valve.	Remove, clean or replace.
	Air leak in air tank.	Air tank must be replaced. Do not attempt to repair air tank!
Insufficient pressure at air tool or accessory.	Air leaks or restrictions.	Check for leaks and repair.
	Restricted air intake filter.	Clean or replace.
	Pipe, hose or hose connections are too small or long.	Replace with larger pipe, hose or connectors.
	Air compressor is not large enough for air requirement.	Use a smaller tool or larger air compressor.
	Slipping belt.	Tighten or replace.
	Restricted Pilot Valve.	Clean or replace.
Air leaks from Safety Relief Valve.	Possible defective Safety Relief Valve.	Operate Safety Relief Valve manually by pulling on ring. If it still leaks, it should be replaced.
	Excessive air tank pressure.	Replace Motor/Pressure Switch. Clean, reset or replace Pilot Valve.
Air leaks at pump.	Defective gaskets.	Torque head bolts to 19.5 ft./lbs. for Single Stage & 33.2 for 2 stage.
Air continues to leak at Motor/Pressure Switch while motor is running.	Defective Motor/Pressure Switch.	Replace.
Air blowing from Air Intake Filter during Normal mode operation (not Continuous Run).	Damaged inlet (reed) valve.	Remove cylinder head and inspect. Clean or replace valve plate.

TROUBLESHOOTING

SYMPTOM	PROBABLE CAUSE	REMEDY
When in the Start/Stop Option, motor runs continuously.	Motor/Pressure Switch does not shut off motor when air compressor reaches "cut-out" pressure and safety relief valve activates.	Move the Motor/Pressure Switch to the "OFF" position. If the motor does not shut off, remove power to the machine. If the electrical contacts are welded together, replace the pressure switch.
	Air compressor is incorrectly sized.	Limit the air usage to the capacity of the air compressor. Either use a smaller tool or a larger air compressor.
Moisture in discharge air.	Condensation in air tank caused by high level of atmospheric humidity.	Drain air tank after every use. Drain air tank more often in humid weather and use an air line filter.
Excessive oil consumption or oil in hose.	Restricted air intake filter.	Clean or replace.
	Air compressor on unlevel surface.	Do not incline the air compressor more than 10° in any direction while running.
	Crankcase overfilled with oil.	Drain oil. Refill to proper level with SAE-30W non-detergent oil.
	Wrong viscosity.	Drain oil. Refill to proper level with SAE-30W non-detergent oil.
	Plugged oil dipstick vent.	Clean.
Oil has milky appearance.	Oil leaks.	Tighten pump bolts to torque stated in Parts List, or replace gaskets.
	Worn piston rings or scored cylinder.	Contact Mi-T-M® Customer Service.
	Water in oil due to condensation.	Drain oil. Refill to proper level with SAE-30W non-detergent oil.
Unit runs backward.	Reversed wiring.	Contact qualified electrician.



STATEMENT OF WARRANTY

Mi-T-M® warrants all parts, (except those referred to below), of your new air compressor to be free from defects in materials and workmanship during the following periods:

For Two (2) Years from the date of original purchase:

Plumbing Tank Assembly

For Five (5) Years from the date of original purchase. 1st Three (3) years at 100%, the Forth (4th) year at 90% and the Fifth (5th) year at 80%.

Compressor Pump

For Six (6) Months from the date of original purchase:

Pressure Switch Regulator
Check Valve Pilot Valve
Copper/Stainless Steel Line

For Ninety (90) days from the date of original purchase:

Pressure Gauges Safety Relief Valves
Drain Valves

Defective parts not subject to normal wear and tear will be repaired or replaced at our option during the warranty period. In any event, reimbursement is limited to the purchase price paid.

EXCLUSIONS

1. Motor is covered under separate warranty by its respective manufacturer and is subject to the terms set forth therein.
2. Normal wear parts:
Air Filter Isolators
3. This warranty does not cover parts damaged due to normal wear, abnormal conditions, misapplication, misuse, accidents, operation at other than recommended voltage, pressures or temperature, improper storage or freight damage. Parts damaged or worn by operation in dusty environments are not warranted. Failure to follow recommended operating and maintenance procedures also voids warranty.
4. Labor charges, loss or damage resulting from improper operation, maintenance (other than routine air tank draining and oil changes, if applicable) or repairs made by persons other than a Mi-T-M® Authorized Service Center.
5. The use of other than Genuine Mi-T-M® Repair Parts will void warranty. Parts returned, prepaid to our factory or to an Authorized Service Center will be inspected and replaced free of charge if found to be defective and subject to warranty. Under no circumstances shall the manufacturer bear any responsibility for loss of use of the unit, loss of time or rental, inconvenience, commercial loss or consequential damages. There are no warranties which extend beyond the description of the face hereof.

For Service or Warranty Consideration, contact
Mi-T-M® Corporation, 50 Mi-T-M Drive, Peosta, IA 52068
563-556-7484 / 800-553-9053 / Fax 563-556-1235
Monday - Friday 8:00 a.m. - 5:00 p.m. CST

CONTENTS

INTRODUCTION	26
INSTRUCTIONS IMPORTANTES DE SÉCURITÉ.....	27
CARACTERISTIQUES DU COMPRESSEUR D'AIR.....	31
CARACTERISTIQUES DE LA POMPE/MOTEUR.....	31
APPAREILS DISPONIBLES EN RESERVOIR HORIZONTAL, VERTICAL ET EN BLOC A EMBASE	31
CARACTERISTIQUES DU MOTEUR	31
COMPOSANTS DU COMPRESSEUR D'AIR ELECTRIQUE	32
COMPRESSEUR VERTICAL INDUSTRIEL DE 80 GALLONS A 2 ETAGES.....	32
COMPOSANTS DU COMPRESSEUR D'AIR ELECTRIQUE.....	33
COMPRESSEUR HORIZONTAL INDUSTRIEL DE 80 GALLONS A 2 ETAGES	33
VUE DETAILLEE ET EXPLICATION DES COMPOSANTS DU COMPRESSEUR	34
INSTRUCTIONS DE PREPARATION.....	37
INSTALLATION INITIALE:.....	37
EMPLACEMENT:.....	37
PREPARATION INSTRUCTIONS.....	38
ELECTRIQUE.....	38
POINTS DE CONTROLE AVANT DEMARRAGE:	38
INSTRUCTIONS DE FONCTIONNEMENT	39
DEMARRAGE:	40
ARRET:.....	40
INSTRUCTIONS D'ENTRETIEN.....	41
DEPANNAGE	42
BON DE GARANTIE.....	45
EXCLUSIONS	45

⚠ AVERTISSEMENT

⚠ AVERTISSEMENT: Ce produit peut vous exposer à des produits chimiques, tel que le plomb, qui est reconnu par l'état de la Californie comme étant une cause de cancer, d'anomalies congénitales et d'autres problèmes liés à la reproduction. Pour plus de renseignements, aller à www.P65Warnings.ca.gov

⚠ AVERTISSEMENT

⚠ AVERTISSEMENT: Ce produit peut vous exposer à des agents chimiques, y compris carbon monoxide, identifiés par l'État de Californie comme pouvant causer des malformations congénitales ou autres troubles de l'appareil reproducteur. Pour de plus amples informations, prière de consulter www.P65Warnings.ca.gov.

INTRODUCTION

Félicitations de l'achat de votre nouveau compresseur d'air! Vous pouvez être assuré que votre nouveau compresseur a été construit avec le plus haut niveau de précision et de fiabilité. Chaque composant a été rigoureusement testé par des techniciens pour assurer la qualité, la durabilité et la performance de ce compresseur d'air.

Ce manuel opérateur a été dressé pour que vous en retiriez le meilleur parti. Par la lecture et l'application des mesures simples de sécurité, d'installation et d'opération, d'entretien et de dépannage décrites dans ce manuel, votre nouveau compresseur d'air fonctionnera sans faille pendant de nombreuses années. Le contenu de ce manuel est basé sur la dernière information disponible du produit au moment de la publication. Le fabricant se réserve le droit d'effectuer des changements de prix, de couleur, de matériaux, d'équipement, de caractéristiques ou de modèles à tout moment sans communication préalable.



IMPORTANT!

Les avertissements de sécurité "DANGER, AVERTISSEMENT ou ATTENTION" seront entourés par un "ENCADRÉ ALERTE SÉCURITÉ". Cet encadré est utilisé pour indiquer et souligner les avertissements de sécurité qui doivent être suivis en actionnant ce compresseur d'air. En plus des avertissements de sécurité, des "mots d'alerte" sont utilisés pour indiquer le degré ou niveau de risque. Les "mots d'alerte" utilisés dans ce manuel sont comme suit:



DANGER: INDIQUE UNE SITUATION AU DANGER IMMINENT QUI, SI ELLE N'EST PAS ÉVITÉE, ENTRAÎNERA LA MORT OU DES BLESSURES GRAVES.



AVERTISSEMENT: INDIQUE UNE SITUATION POTENTIELLEMENT DANGEREUSE QUI, SI ELLE N'EST PAS ÉVITÉE, POURRAIT ENTRAÎNER LA MORT OU DES BLESSURES GRAVES.



ATTENTION: INDIQUE UNE SITUATION POTENTIELLEMENT DANGEREUSE QUI, SI ELLE N'EST PAS ÉVITÉE PEUT ENTRAÎNER DES BLESSURES MINEURES OU PEU GRAVES ET DES DÉGÂTS AU COMPRESSEUR.



LES SYMBOLES PLACÉS À GAUCHE DE CE PARAGRAPHE SONT DES "SYMBOLES D'ALERTE DE SÉCURITÉ". CES SYMBOLES SONT UTILISÉS POUR SOULIGNER LES POINTS OU LES PROCÉDURES QUI POURRAIENT ÊTRE DANGEREUSES POUR VOUS OU TOUT AUTRE PERSONNE UTILISANT CET ÉQUIPEMENT.

Fournir toujours une copie de ce manuel à toute personne utilisant cet équipement. Lire toutes les instructions dans ce manuel et toutes instructions fournies par les fabricants d'équipement de support avant d'utiliser ce compresseur d'air et attirer spécialement l'attention aux "Avertissements de Sécurité" pour empêcher la possibilité de blessures pour l'utilisateur.

Une fois l'appareil déballé, écrivez immédiatement le numéro de série de votre appareil dans l'espace ci-dessous.

NUMERO DE SÉRIE _____


Assurez-vous qu'il n'y a pas de signes de dommages évidents ou cachés suite au transport. En cas de dommages, remplissez immédiatement une réclamation avec la compagnie de transport. Assurez-vous que toutes les pièces endommagées sont remplacées et les problèmes mécaniques et électriques corrigés avant l'utilisation de l'appareil. Si vous avez besoin d'assistance, entrez en contact avec votre service clientèle.

Pour service ou considération de garantie, contactez
Mi-T-M® Corporation, 50 Mi-T-M Drive, Peosta, IA 52068
563-556-7484 / 800-553-9053 / Fax 563-556-1235
de lundi au vendredi, de 8h00 à 17h00, CST (heure centrale)

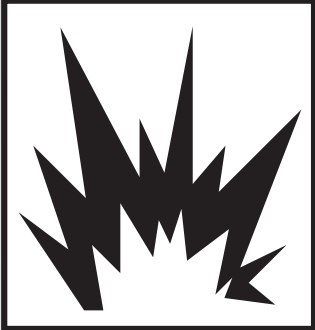

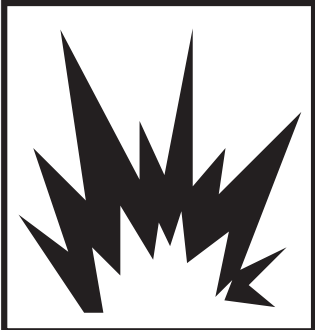
Veillez avoir les informations suivantes disponibles pour toute intervention:

1. Numéro de modèle
2. Numéro de série
3. Date et lieu d'achat

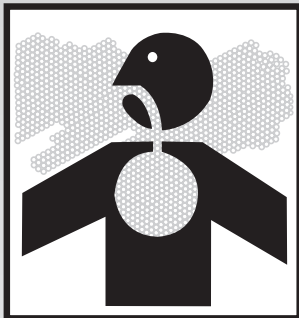


INSTRUCTIONS IMPORTANTES DE SÉCURITÉ

Hazard	Potential Consequence	Prevention
<p>RISQUE DE DÉCHARGE ÉLECTRIQUE OU D'ÉLECTROCUTION</p> 	<p>Des risques de mort ou de blessures graves peuvent survenir si le compresseur n'est pas relié à la terre correctement. Votre compresseur est alimenté à l'électricité et il y a un risque de décharge électrique ou d'électrocution si l'appareil n'est pas utilisé correctement.</p> <p>Une décharge électrique peut se produire si le compresseur n'est pas utilisé correctement.</p> <p>Des risques de mort ou de blessures graves peuvent survenir si des réparations électriques sont effectuées par des personnes incompetentes.</p>	<p>L'installation de cet appareil, ainsi que tous les branchements électriques, doivent respecter tous les codes locaux et nationaux.</p> <p>Cet appareil doit être mis à la terre. Connecter le à un disjoncteur mis à la terre si il y en a un de disponible. Si l'appareil s'avère défectueux ou tombe en panne, la mise à la terre offre un trajet de moindre résistance au courant électrique pour réduire le risque de décharges électriques. Ne pas mettre à la terre à une ligne d'alimentation de gaz.</p> <p>Une connexion inappropriée du conducteur de mise à la terre d'équipement peut provoquer un risque d'électrocution. Consulter un électricien qualifié en cas de doute sur la mise à la terre du système.</p> <p>Soyez toujours certain que l'appareil reçoit un voltage correct (+/-5% du voltage inscrit sur la plaque du fabricant). Avant de faire des raccordements électriques, soyez certain que les interrupteurs sont en position d'ARRET (OFF).</p> <p>Garder tous les branchements au sec et au dessus du sol.</p> <p>Ne jamais faire fonctionner le compresseur dans des conditions humides.</p> <p>Ne jamais faire fonctionner le compresseur sans les gardes/caches de sécurité ou si les gardes sont endommagées.</p> <p>Toutes réparations ou tout câblage électrique effectués sur le compresseur doivent être effectués par le personnel d'un centre de service autorisé qualifié conformément aux codes d'électricité locaux et nationaux.</p> <p>Avant d'ouvrir n'importe quel boîtier électrique, s'assurer que le compresseur est à l'arrêt, relâcher la pression et débrancher le compresseur de la source d'énergie. Laisser le compresseur refroidir. Ne pas travailler sur le principe qu'il est sans risque d'effectuer un travail sur le compresseur alors qu'il est à l'arrêt. Il pourrait se remettre en marche à tout moment! Tout travail doit s'effectuer dans un endroit propre, sec et plat.</p>


INSTRUCTIONS IMPORTANTES DE SÉCURITÉ

Hazard	Potential Consequence	Prevention
<p>RISQUE D'EXPLOSION OU D'INCENDIE</p>  	<p>Des risques de mort ou de blessures graves peuvent survenir à la suite d'étincelles électriques normales dans le moteur et l'interrupteur de pression.</p> <p>Toute obstruction aux événements du compresseur peut provoquer une surchauffe importante et risque d'entraîner un incendie, et également, en conséquence, des blessures graves.</p>	<p>Toujours faire fonctionner le compresseur dans un endroit bien ventilé, libre de vapeurs inflammables, de poussière combustible, de gaz, ou d'autres matériaux combustibles.</p> <p>NE PAS FUMER si vous pulvérisiez une matière inflammable! Placer le compresseur à au moins 20 pieds (6.09 M) de l'aire de vaporisation. (L'addition d'un tuyau supplémentaire peut être nécessaire.)</p> <p>Ne jamais placer d'objets contre ou sur le dessus du compresseur. Afin d'éviter de nuire à la circulation d'air, faire fonctionner le compresseur dans un endroit ouvert d'au moins 12 pouces (30 cm) de tout mur ou de toutes obstructions.</p>
<p>RISQUE D'ECLATEMENT</p> 	<p>Des risques de mort ou de blessures graves peuvent survenir à la suite d'une explosion du réservoir d'air si les réservoirs d'air ne sont pas entretenus correctement.</p> <p>Des blessures graves peuvent survenir suite à une dysfonction du compresseur ou à l'explosion d'accessoires si des composants du système, des rajouts ou des accessoires incorrects sont utilisés.</p>	<p>Vider le réservoir d'air quotidiennement ou après chaque utilisation afin d'éviter l'accumulation d'humidité.</p> <p>Si le réservoir d'air présente une fuite, le remplacer immédiatement. Ne jamais faire de réparations, de soudures ou de modifications au réservoir d'air ou à ses accessoires. N'utiliser que les pièces détachées de votre concessionnaire John Deere pour réparer votre compresseur.</p> <p>Ne jamais modifier les pressions établies en usine.</p> <p>Ne jamais excéder la valeur maximale de pression recommandée des accessoires établi par le fabricant.</p> <p>En raison de la chaleur extrême, ne pas utiliser de tuyau en plastique ou de joints soudés à l'étain/fer pour la conduite de décharge.</p> <p>Ne jamais utiliser le compresseur pour gonfler de petits objets à faible pression tels que les jouets d'enfants.</p>

INSTRUCTIONS IMPORTANTES DE SÉCURITÉ

Hazard	Potential Consequence	Prevention
<p>RISQUE DE PROBLEME RESPIRATOIRE</p> 	<p>Respirer l'air comprimé peut entraîner des blessures graves allant jusqu'à la mort. Le jet d'air peut contenir de l'oxyde de carbone, des vapeurs toxiques, ainsi que des particules solides.</p> <p>Les matériaux pulvérisés tels que la peinture, les solvants de peinture, les décapants, les insecticides, les désherbants et autre contiennent des vapeurs nocives et toxiques.</p>	<p>Ne jamais inhaler l'air émis par le compresseur, que ce soit directement ou au moyen d'un dispositif respirateur branché au compresseur.</p> <p>N'utiliser l'appareil que dans un endroit bien aéré. Suivre toutes les instructions de sécurité données avec les matériaux que vous pulvérisez. L'usage d'un masque respiratoire peut être nécessaire quand vous travaillez avec certains matériaux.</p>
<p>RISQUE DE BRULURES</p> 	<p>Le fait de toucher les surfaces de métal exposées peut causer de graves blessure. Ces surfaces peuvent rester chaudes pendant un certain temps après l'arrêt du compresseur.</p>	<p>Ne jamais laisser aucune partie de votre corps ou autre matériaux entrer en contact avec les surfaces de métal exposées de votre compresseur.</p>
<p>RISQUE DE PROJECTION D'OBJETS</p> 	<p>Des blessures graves peuvent être provoquées par des débris solides projetés à grande vitesse par le jet d'air comprimé.</p> <p>Le jet d'air comprimé peut causer des lésions aux tissus de la peau exposée.</p>	<p>Porter toujours des lunettes protectrices afin de vous protéger les yeux contre les projections de débris.</p> <p>Ne jamais diriger le jet d'air vers votre corps, d'autres individus ou des animaux.</p> <p>Ne jamais laisser d'air sous pression dans le compresseur. Mettez vous à la position arrêt et relâchez la pression avant de ranger ou d'entamer l'entretien de votre appareil.</p> <p>Ecarter toute personne ou animal de la zone d'utilisation quand le compresseur fonctionne.</p>

INSTRUCTIONS IMPORTANTES DE SÉCURITÉ

Hazard	Potential Consequence	Prevention
<p>RISQUE PROVENANT DES PIÈCES MOBILES</p> 	<p>Risque de blessures corporelles causé par les pièces mobiles. Ce compresseur fonctionne (démarre/s'arrête) automatiquement quand l'interrupteur pression est en position "Marche/ Auto". (On/Auto)</p>	<p>Avant de procéder à l'entretien, veuillez toujours éteindre l'appareil. Purger la pression dans le tuyau d'air et débrancher le cordon électrique de la prise. Toutes les réparations du compresseur d'air doivent être effectuées par une agence agréée de service après vente. Ne parler pas du principe qu'il est sans risque d'effectuer un travail sur le compresseur alors qu'il est à l'arrêt. Il pourrait se remettre en marche à tout moment!</p> <p>Ne jamais faire fonctionner le compresseur sans gardes et caches de protection. Débrancher toujours le compresseur avant d'enlever toute garde de protection. Remplacer les gardes et caches de protection si elles sont endommagées avant de se servir du compresseur.</p>
<p>RISQUE CAUSE PAR DE LA NEGLIGENCE</p>	<p>Risque de blessure par utilisation négligente.</p>	<p>Le compresseur est interdit aux enfants et adolescents!</p> <p>Rester vigilant et attentif à vos gestes. Ne pas utiliser l'appareil sous l'effet de la fatigue ou sous l'influence d'alcool ou de drogues.</p> <p>Savoir arrêter le compresseur. Connaître à fond son fonctionnement.</p>
<p>RISQUE DE DEGATS AU COMPRESSEUR</p>	<p>Risque de réparations importantes.</p>	<p>N'utiliser jamais l'appareil sans filtre à air.</p> <p>Ne pas utiliser le compresseur dans un environnement corrosif.</p> <p>Ne faire fonctionner le compresseur que lorsqu'il est fixé sur une surface en béton afin d'éviter la chute de l'appareil.</p> <p>Veuillez lire toutes les instructions d'entretien contenues dans ce manuel.</p>



! GARDER CES INSTRUCTIONS!



CARACTERISTIQUES DU COMPRESSEUR D'AIR

CARACTERISTIQUES DE LA POMPE/MOTEUR

HP	Pompe	Régime Pompe	Régime Moteur
5	3-0298	805	1750
5	3-0312	860	1750
7.5	3-0312	1250	1750

APPAREILS DISPONIBLES EN RESERVOIR HORIZONTAL, VERTICAL ET EN BLOC A EMBASE

	Boulonner Longueur x Largeur	Dimensions Longueur x Largeur x Hauteur
Base	21" x 13.5"	32.5" x 19" x 27.5"
Horizontal	20.75" x 23.5"	52" x 25.5" x 53"
Verticle	15.63" x 15.63"	33" x 25" x 73"

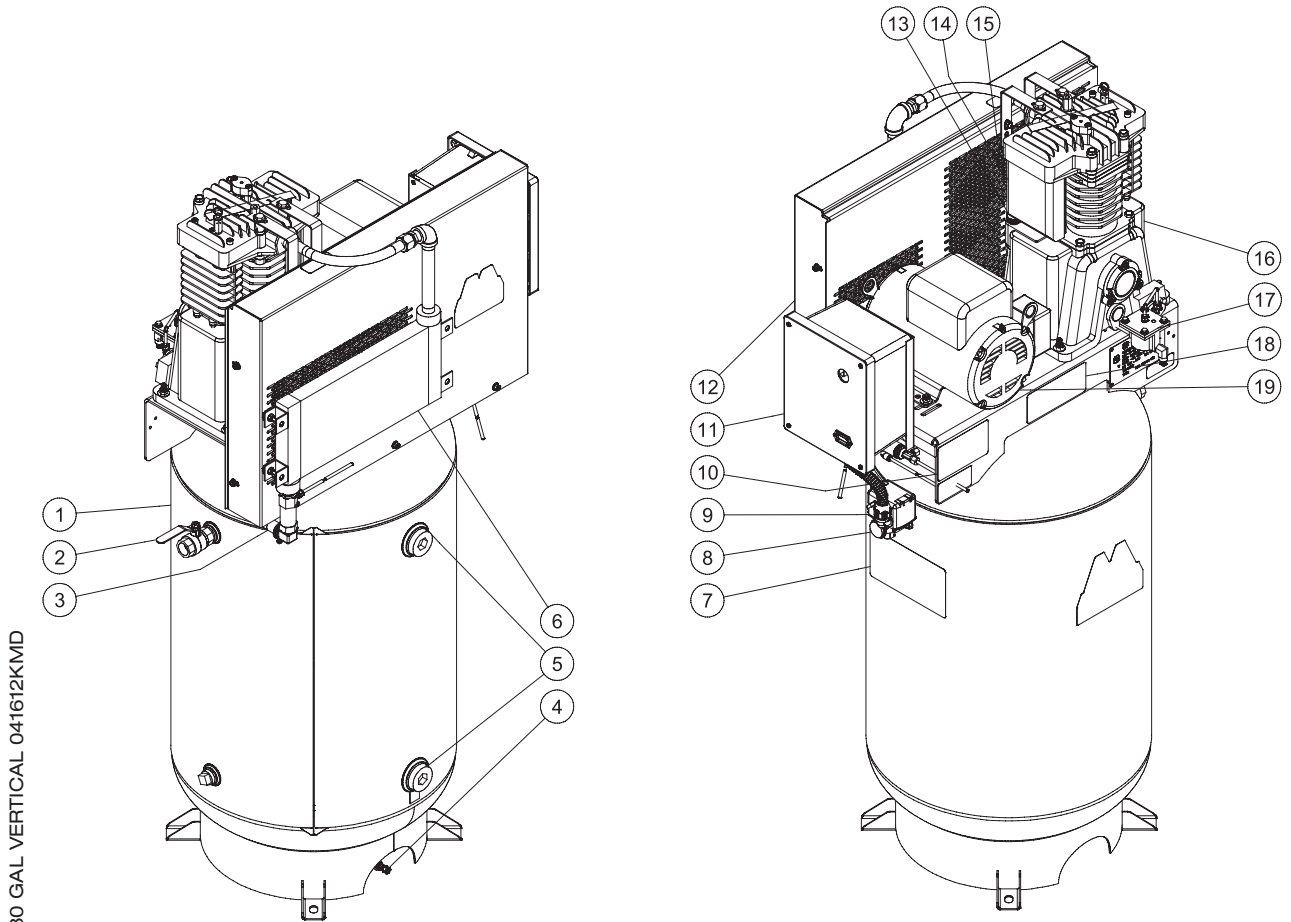
CARACTERISTIQUES DU MOTEUR

HP	Tension	Ampères	Temps
5	230	23.0	1
5	200	16.1	3
5	230/460	13.8/6.9	3
7.5	230	31.0	1
7.5	200	23.0	3
7.5	230/460	20/10	3

COMPOSANTS DU COMPRESSEUR D'AIR ELECTRIQUE

COMPRESSEUR VERTICAL INDUSTRIEL DE 80 GALLONS A 2 ETAGES

(LE CORDON D'ALIMENTATION, LA FICHE D'ALIMENTATION ET LE REGULATEUR DE PRESSION NE SONT PAS INCLUS)

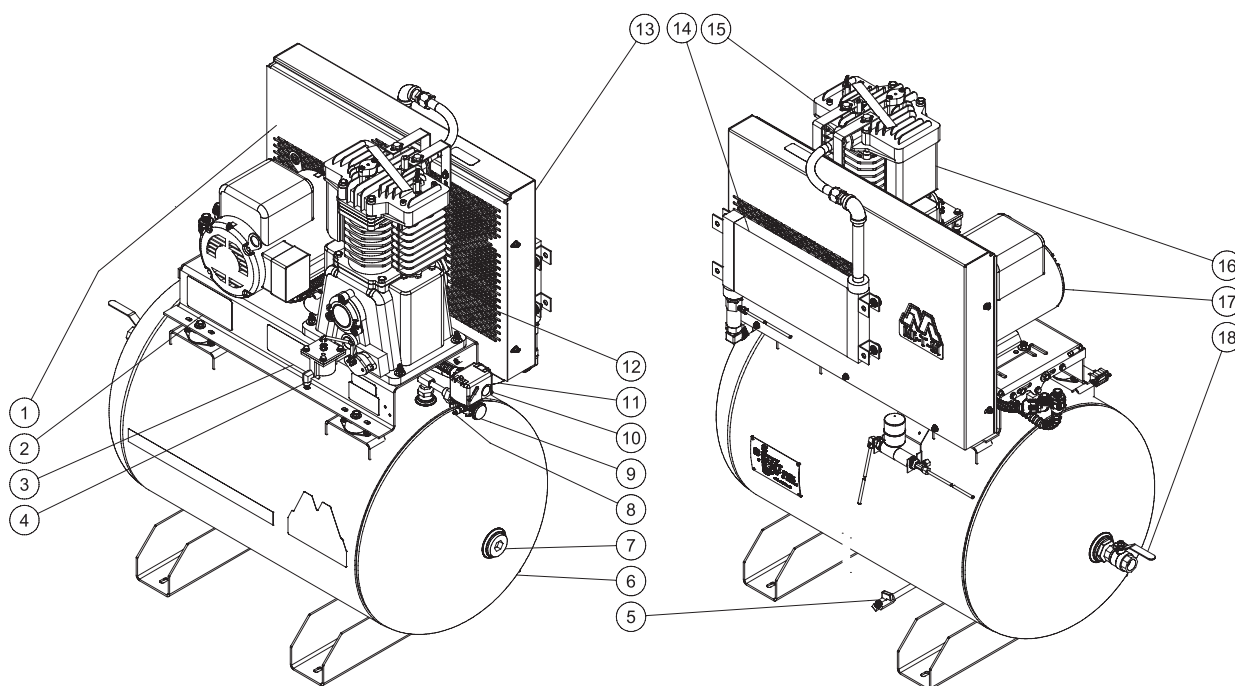


- | | |
|---|---|
| 1. Assemblage du réservoir d'air | 11. Option démarreur |
| 2. Adaptateur de sortie | 12. Carter de courroie |
| 3. Conduite de décharge de la pompe | 13. Orifice de remplissage d'huile |
| 4. Pneumatic Tank Drain Option | 14. Filtre d'admission d'air |
| 5. Ouvertures d'inspection du réservoir | 15. Ouvertures de ventilation |
| 6. Option refroidisseur final | 16. Pompe du compresseur |
| 7. Decal-Danger/Warning/Caution | 17. Option démarreur |
| 8. Air Tank Pressure Gauge | 18. Décalque-Instructions de fonctionnement |
| 9. Interrupteur de pression du moteur | 19. Moteur électrique |
| 10. Décalque-Danger/Avertissement/Attention | |

COMPOSANTS DU COMPRESSEUR D'AIR ELECTRIQUE

COMPRESSEUR HORIZONTAL INDUSTRIEL DE 80 GALLONS A 2 ETAGES

(LE CORDON D'ALIMENTATION, LA FICHE D'ALIMENTATION ET LE REGULATEUR DE
PRESSION NE SONT PAS INCLUS)



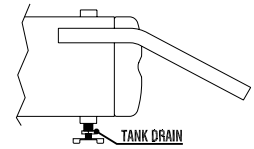
80 GAL HORIZONTAL_041612 KMD

- | | |
|---|--------------------------------------|
| 1. Décalque-Danger/Avertissement/Attention* | 9. Manomètre du Réservoir d'Air |
| 2. Décalque-Instructions d'entretien* | 10. Interrupteur Moteur/Pression |
| 3. Décalque-Instructions de fonctionnement* | 11. Conduite de décharge de la pompe |
| 4. Option Arrêt Niveau d'huile bas | 12. Ouvertures de ventilation* |
| 5. Option Vidange Pneumatique du Réservoir | 13. Carter de courroie* |
| 6. Assemblage du réservoir d'air | 14. Option refroidisseur final |
| 7. Ouvertures d'inspection du réservoir | 15. Pompe du compresseur* |
| 8. Soupape de sûreté | 16. Filtre d'admission d'air* |
| | 17. Moteur électrique* |
| | 18. Adaptateur de sortie |

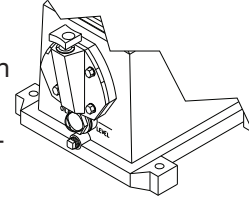
* • Pièces inclus sur • Appareil en bloc à embase

VUE DETAILLEE ET EXPLICATION DES COMPOSANTS DU COMPRESSEUR

ROBINET DE PURGE DU RESERVOIR D'AIR: Le rôle du robinet de purge est d'évacuer l'humidité du/des réservoir(s) après l'arrêt de l'appareil. **NE TENTER JAMAIS** d'ouvrir le robinet de purge du réservoir d'air quand la pression qu'il contient dépasse 10 PSI (0.68 BAR)! Pour ouvrir le robinet de purge, tourner le bouton dans le sens inverse des aiguilles d'une montre.

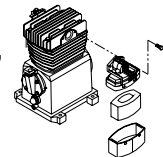


INDICATEUR DE NIVEAU D'HUILE A VUE DIRECTE: L'indicateur de niveau d'huile à vue directe indique le niveau d'huile dans la pompe. Le niveau d'huile doit être au centre de l'indicateur. Si le niveau d'huile est bas, ajouter de l'huile non détersive SAE30.



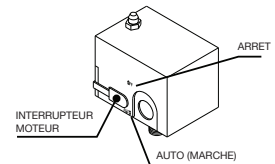
ORIFICE DE REMPLISSAGE D'HUILE: Verser de l'huile dans l'orifice de remplissage d'huile quand cela sera nécessaire.

FILTRE D'ADMISSION D'AIR: Ce filtre est conçu pour nettoyer l'air qui entre dans la pompe. Pour assurer que la pompe reçoit en permanence un air propre, frais et sec, ce filtre doit toujours être propre et les ouvertures de ventilation libres de toute obstruction. Remplacer l'élément du filtre dès que nécessaire.

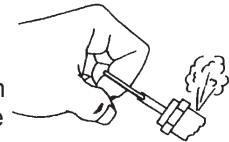


POMPE DU COMPRESSEUR D'AIR: Pour comprimer l'air, le piston se déplace de haut en bas dans le cylindre. Dans la course descendante, l'air entre dans les soupapes d'admission d'air pendant que les soupapes d'échappement d'air demeurent fermées. Dans la course ascendante, l'air est comprimé, la soupape d'admission se ferme et l'air comprimé est poussé vers les soupapes d'échappement, passe par la conduite de décharge puis, par la soupape de retenue et/ou la valve pilote pour finalement aboutir dans le réservoir d'air.

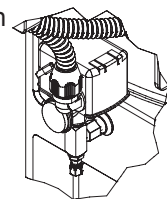
INTERRUPTEUR MOTEUR/PRESSION: Cet interrupteur est utilisé pour démarrer ou arrêter le compresseur. Mettre cet interrupteur en position de mise en marche (ON) fournira une mise sous tension automatique à l'interrupteur de pression ce qui permettra au moteur de démarrer quand la pression du réservoir d'air baissera sous "la pression d'enclenchement" établie en usine. Quand l'interrupteur est en option Marche/Arrêt, l'interrupteur arrête le moteur quand la pression du réservoir d'air atteint "la pression de coupe-circuit" établie en usine. Par raison de sécurité, cet interrupteur a aussi un détendeur de pression situé dans l'interrupteur et qui est conçu pour libérer automatiquement l'air comprimé de la tête de la pompe du compresseur et de sa conduite de décharge lorsque le compresseur atteint "la pression de coupe-circuit" ou qu'il est arrêté. Le détendeur de pression permet au moteur de redémarrer sans problème. Appuyer sur l'interrupteur pour le mettre en position d'arrêt (OFF) coupera le courant de l'interrupteur pression et arrêtera le compresseur d'air.



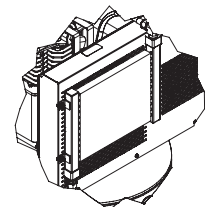
SOUPAPE DE SURETE: Cette soupape est conçue pour empêcher des pannes du système en diminuant la pression du système quand l'air comprimé atteint un niveau prédéterminé. La soupape est programmée par le fabricant et ne doit être modifiée en aucune façon. Pour vérifier que la soupape marche correctement, tirer sur l'anneau. De l'air sous pression devrait s'échapper. Quand l'anneau est relâché, il se remet en place.



MANOMETRE DU RESERVOIR D'AIR: Le manomètre du réservoir d'air indique la pression d'air en réserve dans le/les réservoir(s).

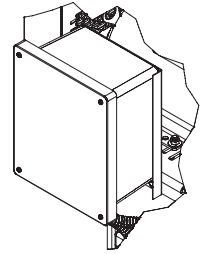


REFROIDISSEUR FINAL: Retire jusqu'à 65% d'humidité de l'air évacué du compresseur et baisse aussi la température du gaz dans les environs de 20 degrés de la température ambiante.

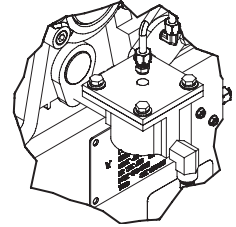


VUE DETAILLEE ET EXPLICATION DES COMPOSANTS DU COMPRESSEUR

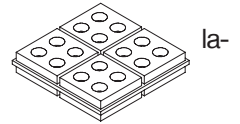
Démarreur: Le démarreur du moteur fournit une protection de surcharge thermique. Le démarreur est nécessaire pour les moteurs de plus de 5 chevaux.



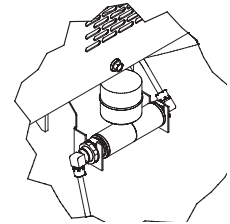
Arrêt Niveau d'Huile Bas: Le détecteur de niveau d'huile met l'appareil à l'arrêt lorsque le niveau d'huile tombe sous un niveau nécessaire.



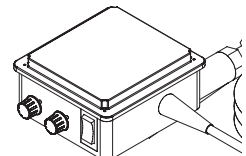
Coussinets Isolants de Vibration: Les coussinets isolants protègent l'appareil contre les vibrations lors du fonctionnement. Ils rendent également une installation sur une surface non plane plus facile.



VIDANGE PNEUMATIQUE: Vidange automatiquement les liquides du réservoir lorsque le niveau d'eau augmente dans ce dernier.



Vidange électrique: Vidange le liquide du réservoir en utilisant un programmateur qui contrôle la fréquence et la durée de vidange.



 **AVERTISSEMENT** 

**LES PAGES SUIVANTES CONTIENNENT LES
CONSIGNES D'UTILISATION ET D'ENTRETIEN.**

**NE TENTER PAS DE FAIRE FONCTIONNER CE
COMPRESSEUR D'AIR AVANT D'AVOIR LU ET
COMPRIS TOUTES LES PRECAUTIONS ET
CONSIGNES DE SECURITE CONTENUES DANS
CE MANUEL.**

**L'UTILISATION INAPPROPRIEE DE CET
APPAREIL PEUT CAUSER DES BLESSURES SERIEUSES!!**

**NE PAS ALTERER OU MODIFIER CET
EQUIPEMENT EN AUCUNE MANIERE!**

INSTRUCTIONS DE PREPARATION

INSTALLATION INITIALE:

1. Lire les consignes de sécurité avant d'installer le compresseur.
2. S'assurer que le niveau d'huile dans la pompe du compresseur est suffisant. Si il est bas, ajouter de l'huile non-détergène SAE .

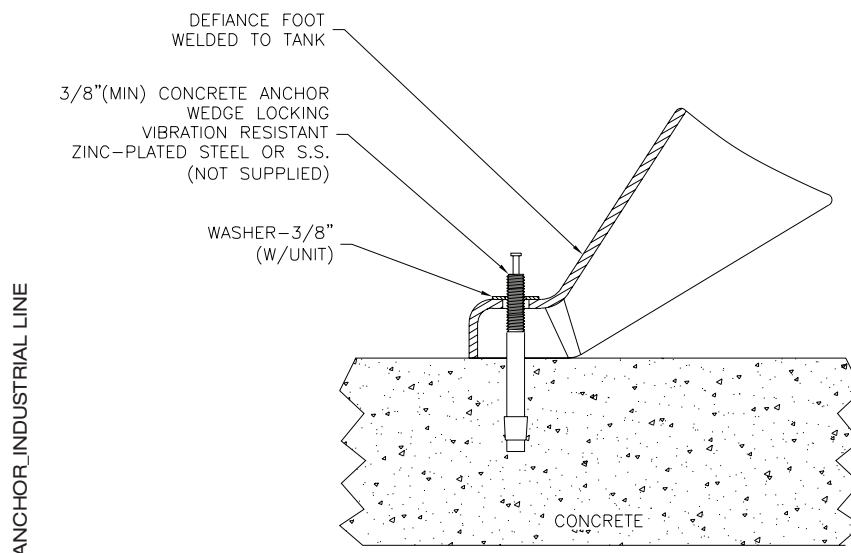
 **AVERTISSEMENT RISQUE D'EXPLOSION OU D'INCENDIE ENTRAÎNANT DES BLESSURES GRAVES OU LA MORT!**

 **NE PAS PERMETTRE AU MOTEUR OU À L'INTERRUPTEUR MOTEUR/PRESSION D'ENTRER EN CONTACT AVEC DES VAPEURS INFLAMMABLES, DES GAZ , DE LA POUSSIÈRE OU AUTRES MATÉRIEAUX COMBUSTIBLES. UNE ÉTINCELLE POURRAIT ENTRAÎNER UN INCENDIE.**

 **QUAND LE COMPRESSEUR SERT À PULVÉRISER DE LA PEINTURE, LE PLACER AUSSI LOIN QUE POSSIBLE DU CHAMP DE TRAVAIL.**

EMPLACEMENT:

1. Pour éviter d'abîmer le compresseur, ne pas l'incliner transversalement ou longitudinalement plus de 10°.
2. Placer le compresseur sur une surface en béton à une distance d'au moins 12 pouces (0.30M) de tout obstacle qui pourrait empêcher une bonne ventilation. Placer le côté du volant de l'appareil vers le mur. Ne pas placer le compresseur dans un endroit:
 - où il y a des traces d'huile ou de carburant.
 - où des vapeurs ou des substances de gaz inflammable peuvent être présentes.
 - où la température de l'air tombe en-dessous de 32°F (0°C) ou dépasse 104°F (40°C).
 - où de l'air ou eau très sales pourraient être aspirés dans le compresseur.
3. Répartir le poids du compresseur également. Une vibration excessive peut affaiblir le réservoir d'air créant un risque d'explosion.
4. Boulonner le compresseur à une surface en béton:
 - a. Marquer les endroits à travers les pieds du compresseur où les boulons d'ancrage seront placés.
 - b. Déplacer le compresseur et percer des trous dans les endroits marqués où seront placés les boulons d'ancrage.
 - c. Marteler les boulons d'ancrage dans les trous déjà percés.
 - d. Placer le compresseur au dessus des boulons d'ancrage.



PREPARATION INSTRUCTIONS

ELECTRIQUE

1. Un électricien qualifié DOIT installer le système électrique.
 - a. Vérifier que la source d'alimentation électrique est éteinte.
 - b. Etre certain que tous les interrupteurs sur le tableau de commande sont en position "OFF" (Arrêt).
 - c. Faire les raccordements à la borne comme montré çï-dessous.



DANGER: RISQUE D'ELECTROCUTION



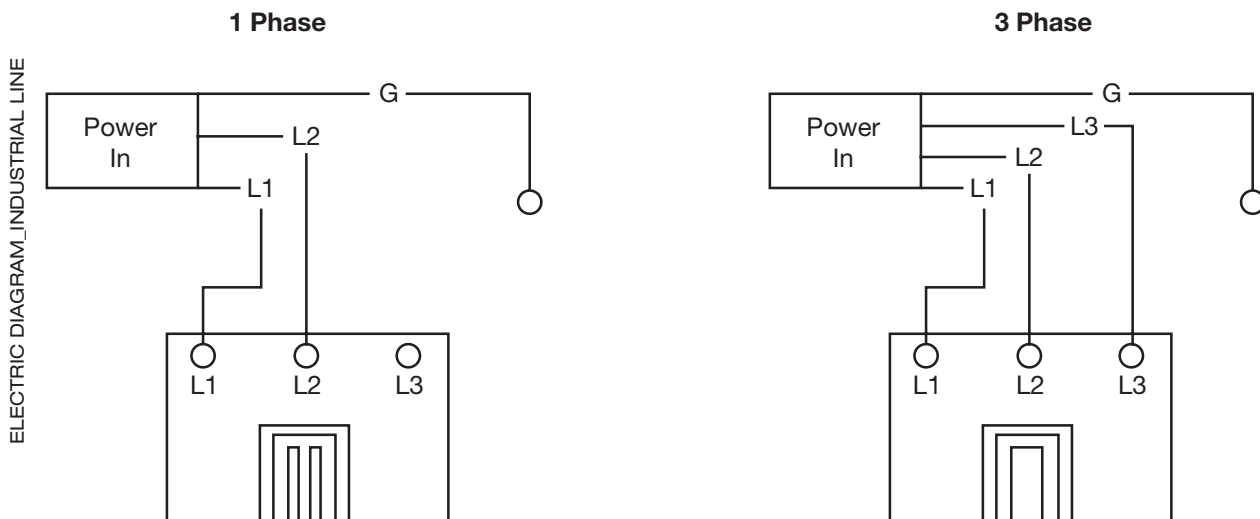
UN MAUVAIS RACCORDEMENT DU CONDUCTEUR DE MASSE PEUT ÊTRE LA CAUSE D'UN RISQUE DE DÉCHARGE OU D'ÉLECTROCUTION. VÉRIFIER AVEC UN ÉLECTRICIEN OU UN PERSONNEL DE SERVICE QUALIFIÉ SI VOUS AVEZ UN DOUTE QUANT AU RACCORDEMENT DE MASSE. LE FIL RECOUVERT D'UNE GAINÉ ISOLANTE DONT LA SURFACE EXTERNE EST VERTE - AVEC OU SANS RAYURES JAUNES EST LE FIL DE TERRE.



AVERTISSEMENT RISQUE DE DECHARGE ELECTRIQUE!



CE PRODUIT DOIT ÊTRE RACCORDÉ À LA TERRE. SI UN COURT CIRCUIT OU UNE PANNE DEVAIENT SURVENIR, LA MASSE FOURNIT UN CIRCUIT DE RÉSISTANCE MOINDRE POUR LE COURANT ÉLECTRIQUE AFIN DE RÉDUIRE LE RISQUE DE DÉCHARGE.

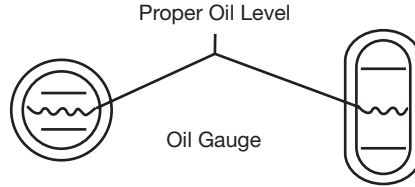


POINTS DE CONTROLE AVANT DEMARRAGE:

1. Vérifier le niveau d'huile. Ajouter de l'huile si nécessaire.
 - a. Le compresseur ne doit pas fonctionner à un régime moteur en deçà du minimum ou au delà du maximum recommandés pour les divers modèles.
 - b. Maintenir le niveau d'huile à mi-chemin entre les lignes supérieures et inférieures de la jauge à niveau visible de carter du moteur. Noter l'illustration:
 - c. Mettre le compresseur à l'arrêt pour jauger et ajouter l'huile.
 - d. Ne pas remplir au dessus de la ligne supérieure et ne pas faire fonctionner le compresseur avec le niveau d'huile sous la ligne inférieure.
 - e. Changer l'huile après les premières 100 heures de fonctionnement et toutes les 1000 heures par la suite, ou lorsque nécessaire. Il peut être nécessaire de changer l'huile plus fréquemment en cas de conditions anormalement humides ou de pauvre qualité de l'air.

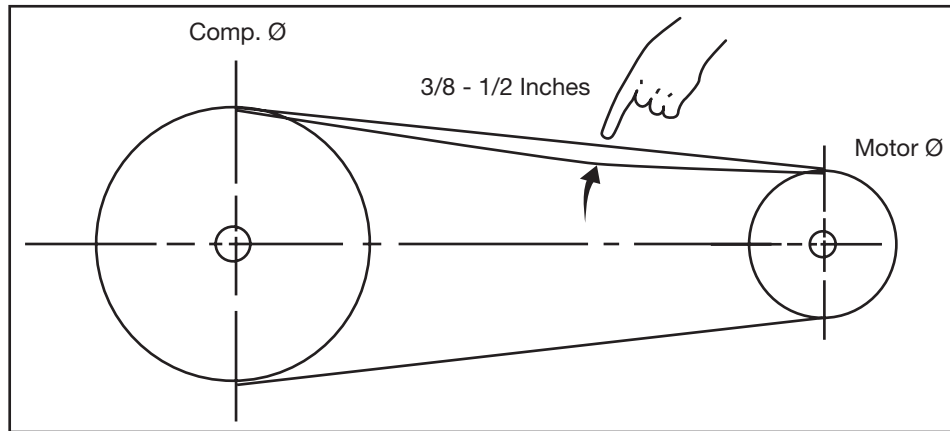
INSTRUCTIONS DE FONCTIONNEMENT

- Vérifier la tension de courroie. La/les courroie(s) trapézoïdale(s) doivent être réglée(s) afin d'obtenir un fléchissement de 3/8-1/2 pouce en poussant avec un doigt sur le point du milieu comme illustré sur le schéma.



ATTENTION: LE FAIT DE TROP SERRER LA/LES COURROIE(S) TRAPEZOÏDALE(S) VA ENTRAÎNER UNE SURCHARGE DU MOTEUR ET UNE DÉFAILLANCE DE LA COURROIE. UNE COURROIE DESERRÉE VA GLISSER ET RÉSULTER EN UNE VITESSE INSTABLE, UNE SURCHAUFFE DE LA COURROIE ET UN DÉBIT EN AMPÈRES ÉLEVÉ.

Pour changer la tension, desserrer les boulons de blocage du moteur et faire glisser le moteur sur la base en utilisant un levier si nécessaire ou en tournant le boulon de réglage au bout de la base. Resserrer les boulons de blocage du moteur..



Note: Ne pas trop serrer les boulons.

Note: Moteur Électrique-Graisser une fois par an avec une graisse au lithium de bonne qualité pour roulement à billes ou comme recommandé par le fabricant du moteur.

- Retirer toute humidité du réservoir d'air du compresseur. Ne JAMAIS essayer d'ouvrir la valve de purge du réservoir d'air lorsqu'il y a plus de 10 PSI dans le réservoir d'air! Retirer toute pression excessive avec un outil d'air puis ouvrir la valve de purge du réservoir d'air au fond du réservoir. Bien fermer après la purge.
- S'assurer que l'interrupteur du Moteur/Pression est en position d'arrêt (OFF).
- S'assurer que la soupape de décharge de sécurité marche correctement.
- S'assurer que toutes les protections et couvercles sont en place et installés solidement.

AVERTISSEMENT: RISQUE DE BLESSURES CORPORELLES! NE TENTER JAMAIS D'OUVRIR LE ROBINET DE PURGE DU RÉSERVOIR D'AIR QUAND LA PRESSION QU'IL CONTIENT DÉPASSE 10 PSI (0.68 BAR)!

INSTRUCTIONS DE FONCTIONNEMENT

DEMARRAGE:

1. Lire les avertissements de sécurité avant de mettre le compresseur en marche.
2. a.) Tirer l'interrupteur Moteur/Pression vers le haut jusqu'à la position "AUTO".
b.) Faire tourner l'interrupteur de came dans le sens inverse des aiguilles d'une montre jusqu'à la position de Démarrage/Arrêt Automatique.
3. Si vous remarquez des bruits insolites ou des vibrations, arrêtez le compresseur et consulter la partie "Dépannage".

ARRET:

1. Pour arrêter le compresseur,
 - a.) pousser l'interrupteur Moteur/Pression jusqu'à la position "Arrêt" (OFF). ou
 - b.) Faire tourner l'interrupteur de came jusqu'à la position centre d'Arrêt (OFF).
2. Vider l'air des réservoirs d'air en relâchant l'air avec un outil pneumatique attaché ou en tirant sur la soupape de sûreté.
3. Un fois que le manomètre du réservoir d'air enregistre moins de 10 livres (4.5 KG), ouvrir le robinet de purge du réservoir d'air sous chaque réservoir d'air pour laisser échapper toute humidité.
4. Permettre au compresseur de refroidir, puis le nettoyer en l'essuyant.

INSTRUCTIONS D'ENTRETIEN

Lire le manuel d'instruction avant d'entretenir le compresseur. Les procédures suivantes doivent être effectuées lors de l'arrêt de la machine pour l'entretien ou la réparation:

1. Arrêter le compresseur d'air.
2. Ouvrir tous les orifices d'évacuation une fois que la jauge de réservoir indique une pression inférieure à 10 PSI.
3. Attendre que le compresseur refroidisse avant de l'entretenir.



AVERTISSEMENT RISQUE DE BLESSURES CORPORELLES!

NE PARTEZ PAS DU PRINCIPE QU'IL EST SANS RISQUES D'EFFECTUER UN TRAVAIL SUR LE COMPRESSEUR ALORS QU'IL EST A L'ARRET! IL POURRAIT SE REMETTRE EN MARCHÉ A TOUT MOMENT!

AC Ele. Maintenance Chart				
MAINTENANCE CHART				
PROCEDURE	DAILY	WEEKLY	MONTHLY	1000 HOURS
Check pump oil level	X			
Oil leak inspection	X			
Drain condensation in air tank (s)	X			
Inspect guards/covers	X			
Check for unusual noise/vibration	X			
Check for air leaks	X			
Clean exterior of compressor		X		
Inspect air filter		X		
Inspect belt			X	
Check safety relief valve			X	
Change pump oil *				X
Replace air filter				X

*L'HUILE DE POMPE DOIT ÊTRE CHANGÉE APRÈS LES PREMIÈRES 100 HEURES D'OPÉRATION ET TOUTES LES 1000 HEURES OU 3 MOIS, SELON LA LIMITE QUI EST ATTEINTE EN PREMIER. TOUS LES 2 ANS, UN TECHNICIEN DE SERVICE AUTORISÉ DOIT VÉRIFIER LA SOUPAPE DE RETENUE, LES SOUPAPES D'APPROVISIONNEMENT ET LES SOUPAPES DE DISTRIBUTION.

DEPANNAGE

SYMPTOME

Le compresseur ne veut pas démarrer.

CAUSE PROBABLE

Interrupteur Moteur/Pression est en position d'arrêt (OFF).
Déclencheur de surcharge thermique du moteur activé.

Disjoncteur déclenché ou fusible grillé dans la boîte à fusibles.

Le voltage du moteur n'est pas égal à la source d'énergie.

La pression du réservoir d'air a atteint le niveau de pression maximum ou "arrêt" (Stop) de l'interrupteur Moteur/Pression.

La soupape de sûreté de pression sur l'interrupteur Moteur/Pression bloquée en position ouverte ne peut libérer la pression de la tête.

Le clapet de retenue de la valve pilote est bloqué en position ouverte.

Moteur ou interrupteur Moteur/Pression défectueux.

Niveau d'huile bas (si l'appareil est équipé d'un détecteur de niveau d'huile bas)

Le compresseur d'air ne démarre pas, mais le moteur ronronne puis s'arrête.

Mauvais contact.

Trop d'appareils marchent sur le même circuit.

Tension incorrecte, ou disjoncteur, fusible ou moteur de la mauvaise taille.

Soupape de retenue ou interrupteur Moteur/Pression défectueux.

Le compresseur ne s'arrête pas bien que la pression maximale permise soit atteinte.

Interrupteur Moteur/Pression ne fonctionne pas correctement.

REMEDE

Tirer l'interrupteur Moteur/Pression jusqu'à la position "ON".
Eteindre l'appareil, attendre 5 minutes, puis appuyer sur l'interrupteur de Surcharge Thermique du moteur jusqu'à ce que vous entendiez un déclic.

Réarmer le disjoncteur ou remplacer le fusible en utilisant seulement un fusible de "Fusetron" genre T.

Vérifier que la tension n'est pas trop faible.

Débrancher tous les autres appareils sur le circuit ou utiliser le compresseur sur son propre circuit.

Contactez Mi-T-M® service clientèle.

Le moteur démarrera automatiquement quand la pression du réservoir d'air redescendra au niveau de "pression d'enclenchement" ou la pression "Start" de l'interrupteur Moteur/Pression.

Purger la ligne en mettant l'interrupteur Moteur/Pression en position "Arrêt" (OFF).

Enlever et nettoyer ou remplacer.

Contactez votre service clientèle.

Ajouter de l'huile à la pompe

Contactez un électricien qualifié.
Se servir d'un autre circuit ou enlever les appareils en trop du circuit.

Contactez un électricien qualifié.

Remplacer

Remplacer

DEPANNAGE

SYMPTOME

CAUSE PROBABLE

REMEDE

Fonctionnement bruyant.

Poulie du moteur ou volant de la pompe desserrées.
Manque d'huile dans la pompe.

Resserrer la poulie et/ou le volant.
Ajouter une quantité correcte d'huile. Vérifier si il y a des dommages aux paliers.

Dépôts de carbone sur les pistons ou les soupapes.

Enlever la tête du cylindre et l'inspecter. Nettoyer ou remplacer le siège de la soupape.

Panne des paliers, pistons ou ensemble de bielle.

ARRETER LE COMPRESSEUR!
Contacter Mi-T-M® service clientèle.

Perte de pression dans le réservoir d'air ou perte de pression rapide quand le compresseur est mis à l'arrêt.

Fuite d'air aux raccords.

Laisser le compresseur accumuler le maximum de pression permis. Eteindre et passer un coup de brosse à l'eau savonneuse sur tous les raccords. Rechercher d'éventuelles bulles d'air aux raccords. Resserrer les raccords là où se trouvent les fuites.
Enlever, nettoyer ou remplacer.
Le réservoir d'air doit être remplacé. N'essayer pas de réparer le réservoir.

Soupape de retenue ou valve pilote défectueuses.

Fuite d'air dans le réservoir.

Pression insuffisante pour faire fonctionner les outils pneumatiques ou les accessoires.

Fuites d'air ou restrictions d'air.
Filtre d'admission d'air bouché.
Les conduites, tuyaus ou raccords de tuyau sont trop petits ou longs.
Le compresseur n'est pas assez gros pour les exigences d'air.
La courroie glisse.
Valve pilote obstruée.

Rechercher les fuites et réparer.
Nettoyer ou remplacer le filtre.
Remplacer par des conduites, tuyaus ou des raccords plus gros.
Servez-vous soit d'un outil plus petit ou d'un compresseur plus grand.
Resserrer ou remplacer. Nettoyer ou remplacer.

Fuite d'air à la soupape de sûreté.

Possibilité d'une soupape de sûreté défectueuse.

Faire fonctionner la soupape de sûreté manuellement en tirant sur l'anneau. Si elle fuit toujours, elle devrait être remplacée.
Remplacer l'interrupteur Moteur/Pression. Nettoyer, réinitialiser ou remplacer la valve pilote.

Pression excessive du réservoir d'air.

Fuite d'air à la pompe.

Joints défectueux.

Couple de serrage des boulons:
Etage unique= 17 ft./lbs (23N.m).
Double Etage= 33 ft./lbs (45N.m).

De l'air continue de fuire au niveau de l'interrupteur Moteur/Pression lorsque le moteur marche.

Interrupteur Moteur/Pression défectueux.

Remplacer.

DEPANNAGE

SYMPTOME

De l'air souffle par le filtre d'admission d'air lors d'un fonctionnement en mode normal (pas en service continu).

Le moteur marche sans arrêt quand il est en position "Marche/Arrêt" (Start/Stop).

Humidité dans l'air de décharge.

Consommation excessive d'huile ou huile dans le tuyau.

L'huile a un aspect laiteux.

L'appareil fonctionne à l'envers.

CAUSE PROBABLE

Soupape (reed) d'admission défectueuse.

L'interrupteur moteur/pression ne coupe pas le moteur quand le compresseur atteint "la pression de coupe-circuit" et la soupape de sûreté s'active.

Le compresseur est de la mauvaise taille.

Condensation dans le réservoir causée par un haut niveau d'humidité atmosphérique.

Filtre d'admission d'air obstrué.

Le compresseur n'est pas sur une surface plane.

Le carter déborde d'huile.

Mauvaise viscosité.

Orifice de la jauge d'huile bouché.

L'huile fuit.

Segments usés ou cylindre rayé.

Présence d'huile dans l'eau attribuable à la condensation.

Circuit électrique est inversé.

REMEDE

Enlever la tête du cylindre et inspecter. Nettoyer ou remplacer le siège de la soupape.

Mettre l'interrupteur Moteur/Pression en position d'arrêt (OFF). Si le moteur ne s'arrête pas, débrancher le compresseur. Si les contacts électriques sont soudés ensemble, remplacer l'interrupteur de pression.

Limiter la pression d'air proportionnellement à la capacité du compresseur. Servez-vous soit d'un outil plus petit ou d'un compresseur plus grand.

Purger le réservoir après chaque utilisation.

Purger le réservoir d'air encore plus souvent quand le temps est humide et se servir d'un filtre à air dans le tuyau.

Nettoyer ou remplacer.

Ne pas incliner le compresseur plus de 10° dans aucune direction pendant qu'il fonctionne.

Purger l'huile. Remplir jusqu'au bon niveau avec de l'huile non-détergène SAE-30W.

Purger l'huile. Remplir jusqu'au bon niveau avec de l'huile non-détergène SAE-30W.

Nettoyer

Resserrer les boulons de pompe à un serrage de couple comme indiqué dans le manuel des pièces de rechange, ou remplacer les joints.

Contactez Mi-T-M® service clientèle.

Purger l'huile. Remplir jusqu'au bon niveau avec de l'huile non-détergène SAE-30W.

Contactez un électricien qualifié.



BON DE GARANTIE

Le fabricant garantit toutes les pièces (à l'exception de celles stipulées ci-dessous) de votre nouveau compresseur d'air en cas de défauts de matériaux et de fabrication pendant les périodes suivantes:

Pendant deux (2) année à partir de la date d'achat initiale:

Tuyauterie Assemblage du réservoir

Pendant Cinq (5) ans à partir de la date d'achat initiale. Les trois premières (3) années à 100%, la quatrième (4) année à 90% et la cinquième (5) année à 80%.

Pompe du compresseur

Pendant de six (6) mois à partir de la date d'achat initiale:

Interrupteur de pression Régulateurs
Soupape de retenue Valve Pilote
Conduite de en cuivre/inoxydable

Pendant quatre vingt dix (90) jours à partir de la date d'achat initiale:

Manomètres Soupapes de sûreté
Soupapes de vidange

Les pièces défectueuses non sujettes à l'usure normale seront réparées ou remplacées à notre choix pendant la période de garantie. Quoi qu'il arrive, le remboursement est limité au prix d'achat.

EXCLUSIONS


1. Le moteur est couvert sous une garantie séparée par son fabricant respectif et est sujet aux conditions mises en place à cet égard.
2. Usure normale des pièces:
Filtre à air Isolateurs
3. Cette garantie ne couvre pas les pièces endommagées par l'usure normale, des conditions anormales, une application erronée, une mauvaise utilisation, un accident, un fonctionnement autre qu'aux tensions, pressions et températures recommandées, un stockage inapproprié ou des dégâts de transport. Les pièces endommagées ou usées par le fonctionnement dans des environnements poussiéreux ne sont pas garanties. La garantie ne couvre pas les dégâts provoqués par un mauvais suivi des procédures de fonctionnement et d'entretien .
4. Les coûts de main d'oeuvre, pertes ou dommages résultant d'une mauvaise utilisation, l'entretien (autre que la vidange routine du réservoir d'air et les changements d'huile si applicable) ou les réparations faites par des personnes autre qu'un centre de service agréé du Mi-T-M®.
5. L'utilisation de toute pièce autre que des pièces de réparation authentiques de votre concessionnaire agréé annulera la garantie. Les pièces renvoyées en port payé, à notre usine ou à un centre de service agréé seront inspectées et remplacées gratuitement si elles sont jugées défectueuses après estimation, et couvertes par la garantie. Le fabricant n'est en aucun cas responsable de la perte d'utilisation de l'appareil, du temps perdu ou de la perte de location de l'appareil, des ennuis, des pertes commerciales ou des dommages indirects. Il n'existe aucune garantie prolongeant les dates d'expiration stipulées ci-dessus.

Pour service ou considération de garantie, contactez
Mi-T-M® Corporation, 50 Mi-T-M Drive, Peosta, IA 52068
563-556-7484 / 800-553-9053 / Fax 563-556-1235
du lundi au vendredi, de 8h00 à 17h00, CST (heure centrale)


CONTENTS

INTRODUCCION.....	48
ADVERTENCIAS IMPORTANTES DE SEGURIDAD	49
ESPECIFICACIONES DEL COMPRESOR DE AIRE.....	53
PUMP/MOTOR SPECIFICATIONS.....	53
DISPONIBLE EN UNIDADES DE TANQUE HORIZONTAL, TANQUE VERTICAL, Y EL MONTAJE DE LA BASE.....	53
ESPECIFICACIONES DE MOTOR	53
ELEMENTOS DEL COMPRESOR DE AIRE ELÉTRICO	54
80 GALONES COMPRESOR VERTICAL 2 ETAPA INDUSTRIAL.....	54
ELEMENTOS DEL COMPRESOR DE AIRE ELÉTRICO	55
80 GALLON HORIZONTAL COMPRESSOR 2 STAGE INDUSTRIAL.....	55
VISTA EXPLOTADA Y EXPLICACIÓN DE ELEMENTOS DE COMPRESOR DE AIRE.....	56
INSTRUCCIONES DE PREPARACIÓN	59
PREPARACIÓN:.....	59
COLOCACIÓN:.....	59
CONEXIONES ELÉCTRICAS	60
CONTROLES ANTES DEL ARRANQUE:	60
INSTRUCCIONES DE OPERACIÓN	62
OPERACIÓN:	62
APAGAMIENTO:.....	62
INSTRUCCIONES DE MANTENIMIENTO.....	63
LOCALIZACIÓN DE AVERÍAS.....	64
DECLARACIÓN DE GARANTÍA	67

ADVERTENCIA

 **ADVERTENCIA:** Este producto puede exponerlo a productos químicos, incluido el plomo, que el Estado de California conoce a causar cáncer y defectos congénitos u otros daños reproductivos. Para obtener más información, visite www.P65Warnings.ca.gov

ADVERTENCIA

 **ADVERTENCIA:** Este producto puede exponerlo a químicos incluyendo carbon monoxide, que es conocido por el Estado de California como causante de defectos de nacimiento u otros daños reproductivos. Para mayor información, visite www.P65Warnings.ca.gov.

INTRODUCCION

¡Felicitaciones por la compra de su nueva compresor de aire eléctrico! Puede estar seguro que su compresor de aire eléctrico fue construida con el nivel más. Cada componente ha sido probado rigurosamente por técnicos para asegurar la calidad, la resistencia y el rendimiento de esta unidad.

Este manual del operador fue compilado para su beneficio. Leyendo y siguiendo los pasos simples de seguridad, instalación, operación, mantenimiento y localización de fallas descritos en este manual ayudará a prolongar aun más la operación libre de fallas que usted puede esperar de su compresor de aire eléctrico. El contenido de este manual está basado en la información actualizada disponible al momento de la publicación. Mi-T-M® se reserva el derecho de efectuar cambios en precio, color, materiales, equipo, especificaciones o modelos en cualquier momento sin previo aviso.



¡IMPORTANTE!

Estos párrafos están rodeados por una “CASILLA DE ALERTA DE SEGURIDAD”. Esta casilla se usa par designar y enfatizar las Advertencias de Seguridad que deben seguirse al operar esta lavadora a presión. Acompañando a las Advertencias de Seguridad están las “palabras de alerta” que designan el grado o nivel de seriedad de riesgo. Las “palabras de alerta” usadas en este manual son las siguientes:



PELIGRO: INDICA UNA SITUACIÓN INMINENTE RIESGOSA LA CUAL, SI NO SE EVITA, RESULTARA EN LA MUERTE O EN LESIONES GRAVES.



ADVERTENCIA: INDICA UNA SITUACIÓN POTENCIALMENTE RIESGOSA LA CUAL, SI NO SE EVITA, PODRIA RESULTAR EN LA MUERTE O EN LESIONES GRAVES.



PRECAUCION: INDICA UNA SITUACIÓN POTENCIALMENTE RIESGOSA LA CUAL, SI NO SE EVITA PUEDE RESULTAR EN LESIONES MENORES O MODERADAS.



El símbolo indicado a la izquierda de este párrafo es el “Símbolo de Alerta de Seguridad”. Este símbolo se usa para alertarlo acerca de artículos o procedimientos que podrían ser peligrosos para usted u otras personas usando este equipo.

PROVEA SIEMPRE UNA COPIA DE ESTE MANUAL A CUALQUIER PERSONA QUE USE ESTE EQUIPO. LEA TODAS LAS INSTRUCCIONES ANTES DE OPERAR ESTA LAVADORA A PRESION, OBSERVANDO EN PARTICULAR LAS “ADVERTENCIAS DE SEGURIDAD” PARA EVITAR LA POSIBILIDAD DE LESIONES PERSONALES AL OPERADOR.

Escriba el número de serie de su unidad en el espacio provisto abajo, una vez que la unidad haya sido desempaçada.

NUMERO DE SERIE _____

Inspeccione por daño el contenido de la caja. Si algo parece dañado, NO LA DEVUELVA AL LUGAR DE COMPRA. Llame a su representante de servicio al cliente de al 800-553-9053.

Por favor tenga disponible la información siguiente para todas las llamadas de servicio:

1. Número de modelo
2. Número de serie
3. Fecha y lugar de compra

Mi-T-M® Corporation



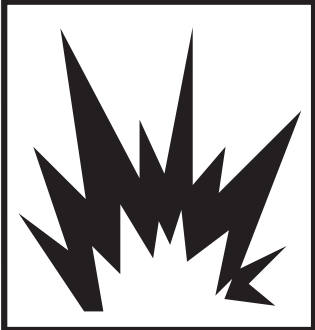
50 Mi-T-M Drive

Peosta, IA 52068-0050

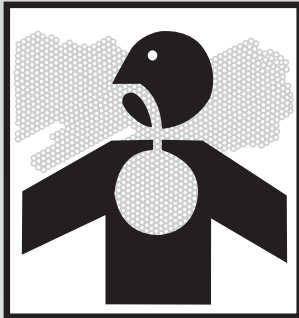


ADVERTENCIAS IMPORTANTES DE SEGURIDAD

Hazard	Potential Consequence	Prevention
<p>RIESGO DE DESCARGAS ELÉCTRICAS O ELECTROCUCIÓN</p> <div style="text-align: center;">  </div>	<p>Una incorrecta conexión a tierra del compresor de aire puede causar lesiones graves o incluso la muerte. Su compresor de aire es alimentado por corriente eléctrica que puede causar descargas eléctricas o electrocución, si no se usa correctamente..</p> <p>Las descargas eléctricas pueden ocurrir si no se usa correctamente el compresor de aire.</p> <p>Reparaciones de partes eléctricas realizadas por personal incapacitado puede causar lesiones graves o incluso la muerte.</p>	<p>La instalación de esta unidad, incluyendo todas las conexiones eléctricas, debe conformarse con todo el local, estado y códigos nacionales.</p> <p>Este producto debe ser puesto a tierra. Conecte con un interruptor de GFCI cuando esta' disponible. Si funciona incorrectamente la unidad o interrupción, el poner a tierra proporciona una trayectoria de menos resistencia para la corriente eléctrica para reducir el riesgo de la descarga eléctrica. No mueva a una línea de fuente de gas.</p> <p>La conexión incorrecta del conductor equipo-que pone a tierra puede dar lugar a un riesgo del electrocution. Compruebe con un electricista o un personal de servicio cualificado si usted es en duda si el sistema está puesto a tierra correctamente.</p> <p>Esté siempre seguro que la unidad está recibiendo voltaje apropiado (el +/- 5% del voltaje enumerado en la placa de identificación). Antes de instalar conexiones eléctricas, esté seguro que los interruptores están en la posición de "off".</p> <p>Mantenga todas las conexiones secas y de la tierra.</p> <p>No usar el compresor de aire sin las protecciones de seguridad/ coberturas o si éstas están dañadas.</p> <p>Cualquier operación de cableado o reparación eléctrica en este compresor de aire debe ser realizado por personal autorizado, conforme a las normas eléctricas locales y nacionales.</p> <p>Antes de abrir cualquier protección eléctrica, apagar siempre el compresor, descargar la presión y desconectar el compresor de aire del suministro de corriente. Esperar hasta que el compresor de aire esté frío. No suponga jamás que el compresor de aire no representa un peligro sólo porque no está funcionando. Podría arrancar en cualquier momento!</p>


ADVERTENCIAS IMPORTANTES DE SEGURIDAD

Hazard	Potential Consequence	Prevention
<p>RIESGO DE EXPLOSIÓN O DE INCENDIO</p> <div style="text-align: center;">   </div>	<p>Normales chispas eléctricas del motor y del interruptor de presión pueden causar lesiones graves e incluso la muerte.</p> <p>La obstrucción de cualquier abertura de ventilación del compresor de aire podría causar el recalentamiento y el incendio del mismo, con el peligro de ocasionar lesiones graves o la muerte.</p>	<p>El compresor de aire debe funcionar siempre en un ambiente ventilado, libre de vapores inflamables y polvos, gases u otros materiales combustibles.</p> <p>No fume cuando está rociando material inflamable. Si se pulverizan materiales inflamables, colocar el compresor de aire a una distancia mínima de 20 pies del área de pulverización. (Podría ser necesario un tubo adicional.)</p> <p>No colocar jamás objetos contra o sobre el compresor de aire. El compresor de aire debe funcionar a una distancia mínima de 12 pulgadas de la pared o de cualquier obstáculo que limite la correcta ventilación del mismo.</p>
<p>RIESGO DE ESTALLIDO</p> <div style="text-align: center;">  </div>	<p>Si no se respeta el mantenimiento adecuado el depósito de aire podría estallar y causar lesiones graves o la muerte.</p> <p>El funcionamiento incorrecto del compresor o, en el caso en que se empleen componentes o accesorios inadecuados, el estallido de sus accesorios podría causar lesiones graves o la muerte.</p>	<p>Vaciar el depósito de aire todos los días o al final de cada uso, para evitar que se acumule la condensación.</p> <p>Si el depósito de aire tiene una fuga, sustituirlo inmediatamente. No reparar, soldar o modificar jamás el depósito de aire o sus accesorios. Usar sólo piezas originales para el compresor de aire.</p> <p>No modificar jamás las presiones ajustadas en la fábrica.</p> <p>No superar jamás las presiones máximas permitidas de los accesorios, recomendadas por el fabricante.</p> <p>Debido al excesivo calor, no usar tubos de plástico o uniones con soldaduras de plomo en la línea de descarga.</p> <p>No usar jamás un compresor de aire para inflar objetos pequeños o que requieren poca presión como los juguetes.</p>

ADVERTENCIAS IMPORTANTES DE SEGURIDAD

Hazard	Potential Consequence	Prevention
<p>RIESGOS A LA RESPIRACIÓN</p> 	<p>La inhalación de aire comprimido puede causar lesiones graves e incluso la muerte. El chorro de aire podría contener monóxido de carbono, vapores tóxicos o partículas sólidas.</p> <p>Materiales pulverizados como pinturas, solventes para pinturas, desbarnizadores, insecticidas, herbicidas, etc. contienen vapores dañinos y venenos.</p>	<p>No inhalar jamás el aire procedente del compresor de aire ni a través de cualquier dispositivo de respiración conectado al compresor de aire.</p> <p>El compresor de aire debe funcionar sólo en ambientes bien ventilados. Atenerse a las instrucciones de seguridad indicadas para los materiales que se pulverizan. Al pulverizar ciertos materiales podría ser necesario usar un respirador.</p>
<p>RIESGO DE QUEMADURAS</p> 	<p>El tocar partes metálicas expuestas podría causar lesiones graves. La temperatura en estas zonas no baja inmediatamente al apagar el compresor de aire.</p>	<p>Asegurarse que ninguna parte del cuerpo o de otros materiales entre en contacto con las partes metálicas expuestas del compresor de aire.</p>
<p>RIESGO DE OBJETOS VOLANTES</p> 	<p>El chorro de aire comprimido podría causar lesiones a los tejidos blandos.</p> <p>La proyección de partículas del chorro de aire comprimido a velocidad elevada puede causar lesiones graves.</p>	<p>Usar siempre las gafas de protección para proteger los ojos de las partículas volantes.</p> <p>No dirigir jamás el chorro de aire a cualquier parte de su cuerpo o del cuerpo de otra persona o animal.</p> <p>No dejar jamás un compresor de aire bajo presión sin vigilancia. Apagar el compresor y descargar la presión antes de efectuar cualquier operación de mantenimiento, conectar cualquier herramienta o accesorio.</p> <p>Con el compresor de aire en marcha mantener siempre una distancia de seguridad de personas y animales.</p>

ADVERTENCIAS IMPORTANTES DE SEGURIDAD

Hazard	Potential Consequence	Prevention
<p>RIESGO DE PARTES EN MOVIMIENTO</p> 	<p>Existe el riesgo que partes en movimiento ocasionen lesiones al cuerpo. Este compresor de aire funciona en ciclo automático cuando el interruptor de presión está en la posición "On/Auto".</p>	<p>Antes de hacer mantenimiento, siempre apagar siempre el compresor de aire. Descargar la presión del tubo de aire y desconectar de la toma de corriente antes de efectuar cualquier operación de mantenimiento. Todas las reparaciones al compresor de aire deben ser realizadas por personal autorizado. No suponga jamás que el compresor de aire no representa un peligro sólo porque no está funcionando. Podría arrancar en cualquier momento!</p> <p>No usar el compresor de aire sin las protecciones de seguridad. Siempre remova el enchufe del compresor del aire antes de remover cualquier guarda. Sustituir las protecciones dañadas antes de encender le compresor de aire.</p>
<p>RIESGO DE NEGLIGENCIA</p>	<p>Un uso negligente del compresor puede ocasionar lesiones.</p>	<p>No permitir jamás que niños o adolescentes pongan en marcha el compresor de aire.</p> <p>Prestar mucha atención a la operación que se está cumpliendo. No se debe poner en marcha el compresor de aire en caso de cansancio o bajo la influencia de alcohol o drogas.</p> <p>Es necesario saber apagar el compresor de aire. Es preciso conocer bien todos los mandos.</p>
<p>RIESGO DE AVERÍAS DEL COMPRESOR DE AIRE</p>	<p>Riesgo de graves averías.</p>	<p>No encender el compresor de aire sin el filtro de aire.</p> <p>No encender el compresor de aire en un ambiente corrosivo.</p> <p>El compresor de aire debe funcionar en una posición estable y segura para prevenir que caiga.</p> <p>Atenerse a las instrucciones de mantenimiento descritas en este manual.</p>


¡GUARDE ESTAS INSTRUCCIONES!


ESPECIFICACIONES DEL COMPRESOR DE AIRE

PUMP/MOTOR SPECIFICATIONS

Caballo de Fuerza	Bomba	Bomba RPM	Motor RPM
5	3-0298	805	1750
5	3-0312	860	1750
7.5	3-0312	1250	1750

DISPONIBLE EN UNIDADES DE TANQUE HORIZONTAL, TANQUE VERTICAL, Y EL MONTAJE DE LA BASE

	Engullir L x A	Dimensiones L x A x A
Base	21" x 13.5"	32.5" x 19" x 27.5"
Horizontal	20.75" x 23.5"	52" x 25.5" x 53"
Verticle	15.63" x 15.63"	33" x 25" x 73"

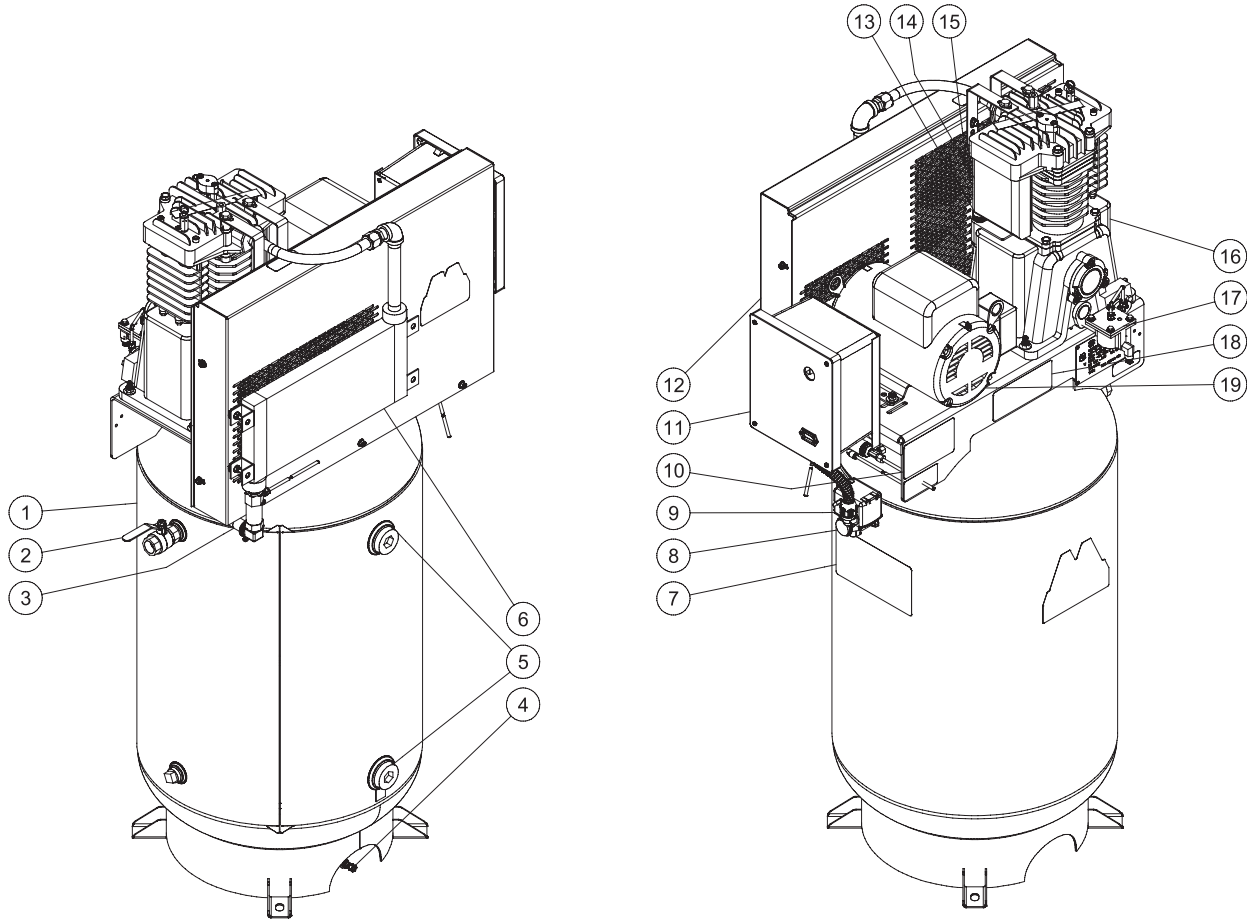
ESPECIFICACIONES DE MOTOR

Caballo de Fuerza	Voltaje	Amperios	Fase
5	230	23.0	1
5	200	16.1	3
5	230/460	13.8/6.9	3
7.5	230	31.0	1
7.5	200	23.0	3
7.5	230/460	20/10	3

ELEMENTOS DEL COMPRESOR DE AIRE ELÉTRICO

80 GALONES COMPRESOR VERTICAL 2 ETAPA INDUSTRIAL

(NO INCLUYE EL CORDÓN ELÉCTRICO, EL ENCHUFE ELÉCTRICO, Y EL REGULADOR DE PRESIÓN)



80 GAL VERTICAL 041612 LMD

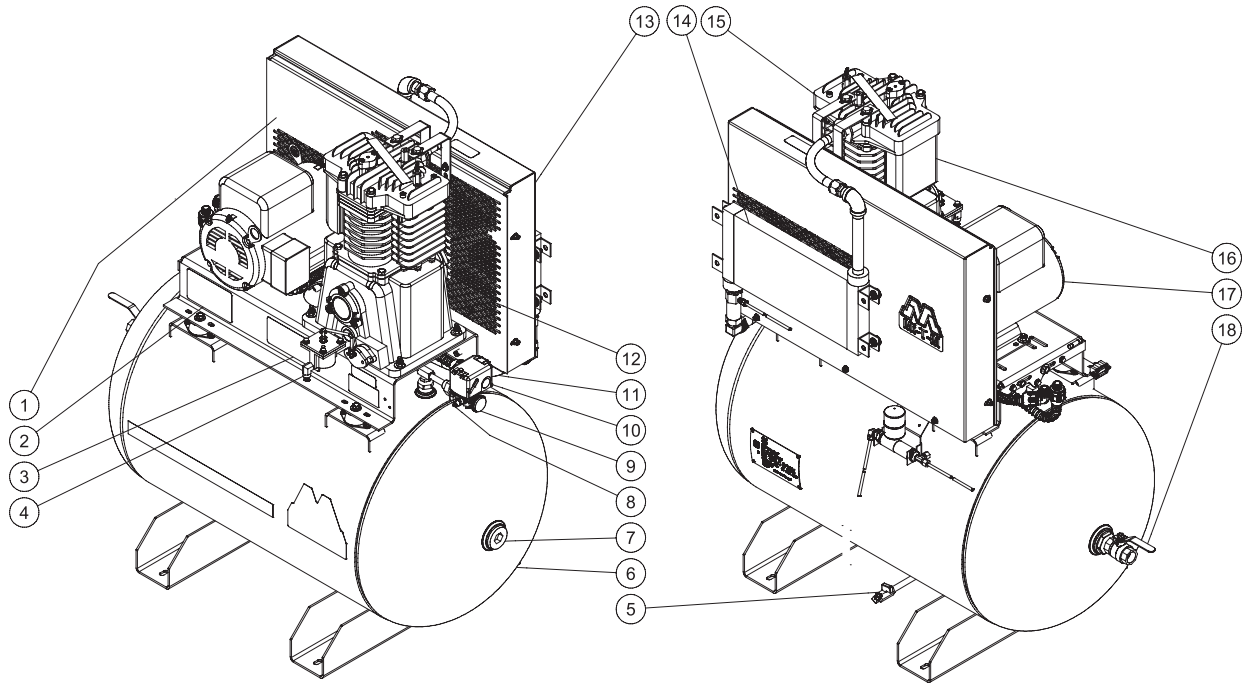
1. Asamblea de Tanque
2. Instalaciones de salida
3. Cuerda de depósito de bomba
4. Opción de Vaciar del Tanque Neumático
5. Aberturas De la Inspección Del Tanque
6. Opción de Posenfriador
7. Calcomanía: Peligro/Advertencia/Precaución
8. Indicador de presión de tanque de aire

9. Interruptor de motor/presión
10. Calcomanía: Instrucciones
11. Opción de Motor de Arranque
12. Guardia del cinturón
13. Puerto de relleno del aceite
14. Filtro de entrada de aire
15. Aberturas de ventilación
16. Bomba de compresor de aire
17. Opción de Cierre de Petróleo Bajo
18. Calcomanía: Operación
19. Motor eléctrico

ELEMENTOS DEL COMPRESOR DE AIRE ELÉCTRICO

80 GALLON HORIZONTAL COMPRESSOR 2 STAGE INDUSTRIAL

(NO INCLUYE EL CORDÓN ELÉCTRICO, EL ENCHUFE ELÉCTRICO, Y EL REGULADOR DE PRESIÓN)



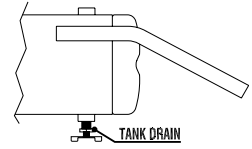
80 GAL HORIZONTAL 041612 KMD

- | | |
|--|----------------------------------|
| 1. Calcomanía: Peligro/Advertencia/Precaución* | 10. Interruptor de motor/presión |
| 2. Calcomanía: Instruccions* | 11. Cuerda de depósito de bomba |
| 3. Calcomanía: Operación* | 12. Abiertas de ventilación* |
| 4. Opción de Cierre de Petróleo Bajo | 13. Guardia del cinturón* |
| 5. Opción de Vaciar del Tanque Neumático | 14. Opción de Postenfriador |
| 6. Asamblea de Tanque | 15. Bomba de compresor de aire* |
| 7. Abiertas de Tanque para Inspección | 16. Filtro de entrada de aire* |
| 8. Válvula de seguridad de alivio | 17. Motor eléctrico* |
| 9. Indicador de Presión del Tanque de Aire | 18. Instalaciones de salida |

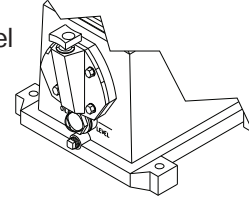
* Piezas incluidas en la unidad de Montaje de la Base

VISTA EXPLOTADA Y EXPLICACIÓN DE ELEMENTOS DE COMPRESOR DE AIRE

VÁLVULA DE DESCARGAR DEL TANQUE DE AIRE: La válvula de descargar sea usado para quitar la humedad de los tanques de aire despues de apagarse del compresor de aire. !NUNCA trate abrir la válvula de descargar cuando más de 10PSI de presión de aire está en el tanque de aire! Para abrir la válvula de descargar, gire la perilla en sentido contrartio a las agujas.

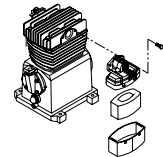


VIDRIO DE VISTA DEL ACEITE: El vidrio de vista del aceite expone el nivel del aceite en la bomba. El nivel del aceite debe estar en el medio del vidrio de vista del aceite. Si bajo agregue SAE30W aceite sin detergente.



PUERTO DE RELLENO DEL ACEITE/TIRO: Tire el aceite en el puerto de relleno del aceite/tiro cuando necesario.

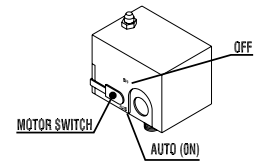
FILTRO DE LA ENTRADA DEL AIRE: Este filtro sea diseñado para limpiar aire que viniendo en la bomba. Para asegurar la bomba reciba continuamente un suministro de aire limpio, fresco, y seco el filtro tiene que ser limpio y el abierto de ventilación no tiene obstrucciones. Reemplace el elemento del filtro cuando necesario.



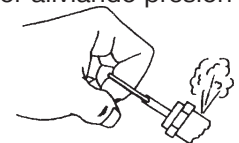
BOMBA DE COMPRESOR DE AIRE: Para comprimir aire, los pistones mueven arriba y abajo en los cilindros. En el tiempo abajo aire sea retraido por las válvulas entradas mientras las válvulas de exhausto quedan cerrado. En el tiempo arriba el aire sea comprimido, las válvulas entradas cierran y aire comprimido sean forzados por las válvulas de exhausto en la linea descarga por la válvula pilota y en el tanque de aire.

INTERRUPTOR DE MOTOR/PRESIÓN: Este interruptor es para empezar o parar el compresor de aire.

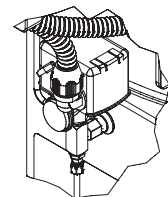
Moviendo interruptor al posición de "AUTO" proveerá potencia automático al interruptor de presión cual permitirá el encendido de motor cuando la presión de tanque de aire está abajo de nivel de fábrica de presión 'atravesarse'. Cunado está en opción de Encendido/Parar, el interruptor de presión para el motor cuarido presión de tanque de aire alcanza el nivel de fábrica de presión 'apagarse'. Para intenciones de seguridad este interruptor también tiene una válvula de alivio de presión que está locado en el lado del interruptor sea diseñado para liberar automáticamente el aire comprimido de la cabeza de bomba de compresor de aire y su linea de descarga cuando el compresor de aire alcanza presión 'apagarse' o desconectarse. Este permite el motor para volver a poner en marcha libre. Moviendo el interruptor a posición de 'OFF' quitará potencia del interruptor de presión y parar el compresor de aire.



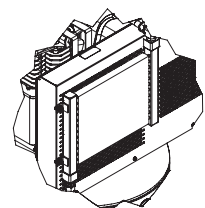
VÁLVULA DE SEGURIDAD: Esta válvula sea diseñado para pervenir falla de sistema por aliviando presión de la sistema cuando aire comprimido aleance un nivel predeterminado. La válvula ha preprogramado por el fabricante y no puede modificar en ninguna manera. Para verificar que la válvula está trabajando correctamente, tire en el anillo. Presión de aire debe escapar. Cuando el anillo sea liberado, lo volver a cero.



INDICADOR DE PRESIÓN DE TANQUE DE AIRE: El indicador de presión de tanque de aire indica la presión de aire reserva en los tanques de aire.

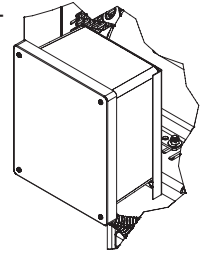


POSENFRIADOR: Elimina hasta 65% de la humedad del compresor de aire descargado, también baja la temperatura de gas entre 20 grados de ambiente.

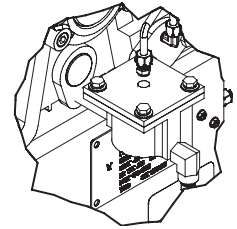


VISTA EXPLOTADA Y EXPLICACIÓN DE ELEMENTOS DE COMPRESOR DE AIRE

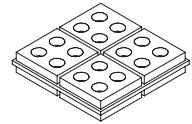
MOTOR DE ARRANQUE: El motor de arranque proporciona protección de sobrecarga térmica. El motor de arranque está requerido en los motores de 5 caballos de fuerza y más.



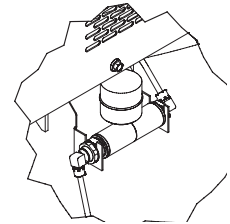
OPCIÓN DE CIERRE DE PETRÓLEO BAJO: el sensor de petróleo bajo cierre la unidad cuando la cantidad de petróleo cae abajo de una cantidad suficiente.



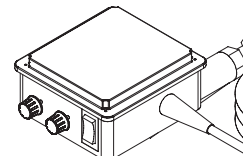
ALMOHADILLAS DE AISLAR LA VIBRACIÓN: Aisladores protegen la unidad de vibración durante el uso. También hace que la instalación en las superficies desiguales sea más fácil.



DESAGÜE NEUMÁTICO: Vacía el líquido del tanque automáticamente mientras el nivel de agua sube en el tanque.



DESAGÜE ELÉCTRICO: Vacía el líquido del tanque usando un temporizador para frecuencia y duración de vacía.



 **ADVERTENCIA** 

**LAS PAGINAS SIGUIENTES CONTIENEN INSTRUCCIONES DE
OPERACION Y MANTENIMIENTO**

**NO TRATE DE OPERAR ESTA LAVADORA A PRESION HASTA QUE HAYA
LEIDO Y ENTENDIDO TODAS LAS PRECAUCIONES E INSTRUCCIONES DE
SEGURIDAD LISTADAS EN ESTE MANUAL.**

**¡¡LA OPERACION INCORRECTA DE ESTA UNIDAD PUEDE CAUSAR
LESIONES GRAVES!!**

¡¡DE NINGUNA MANERA ALTERE O MODIFIQUE ESTE EQUIPO!!

INSTRUCCIONES DE PREPARACIÓN

PREPARACIÓN:

1. Lea las advertencias de seguridad antes de preparar el compresor del aire.
2. Asegurar el nivel del aceite en el compresor de aire es adecuado. Si bajo, agregar SAE-30W aceite sin detergente.

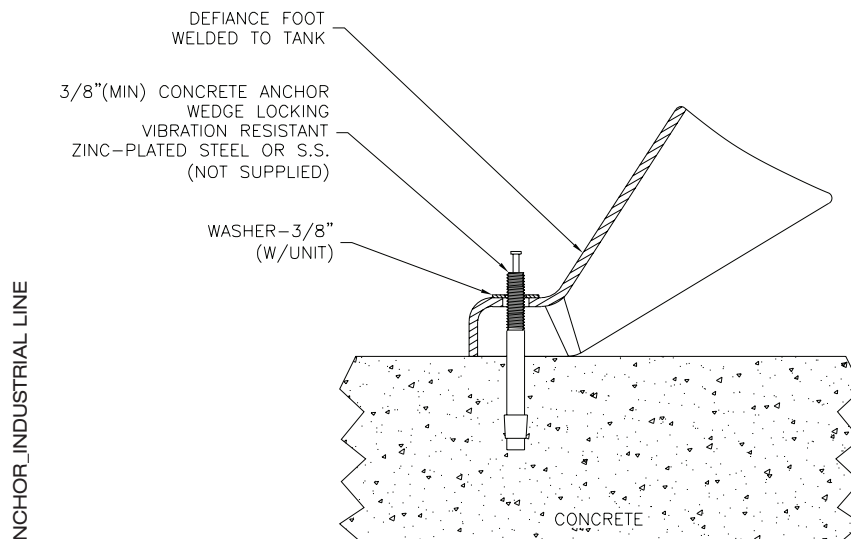
⚠ ADVERTENCIA RIESGO DE FUEGO O EXPLOSION Y CAUSAR LESIONES GRAVES O LA MUERTE!

⚠ SI LAS CHISPAS ELÉCTRICAS DEL MOTOR Y DEL INTERRUPTOR DE PRESIÓN ENTRAN EN CONTACTO CON VAPORES INFLAMABLES, POLVOS, GASES U OTROS MATERIALES COMBUSTIBLES, PUEDEN CAUSAR LESIONES GRAVES O LA MUERTE.

⚠ AL USAR EL COMPRESOR DE AIRE PARA PULVERIZAR PINTURA, COLOCAR EL COMPRESOR DE AIRE LO MÁS LEJOS POSIBLE DEL ÁREA DE TRABAJO, UTILIZANDO TUBOS DE AIRE ADICIONALES EN LUGAR DE CABLES DE PROLONGACIÓN.

COLOCACIÓN:

1. Para evitar daños al compresor de aire, éste no debe inclinarse transversalmente o longitudinalmente a más de 10°.
2. Colocar el compresor de aire a una distancia mínima de 12 pulgadas de cualquier obstáculo que impida una correcta ventilación. No colocar jamás un compresor de aire en una zona:
 - donde hay fugas de aceite o gas.
 - donde puede haber vapores o materiales inflamables.
 - donde la temperatura del aire es inferior a 32°F o superior a 104°F.
 - donde aire sucio o agua podría ser aspirado por el compresor de aire.
3. Reparta el peso de compresor de aire equitativamente . Vibración excesiva puede debilitar el tanque de aire que hacer un riesgo de explosión.
4. Sujete el compresor de airen a un superficie de concreto.
 - a. Marque las áreas por el pie de compresor de aire donde lugará el tornillo de ancla.
 - b. Mueva el compresor de aire y agujeros de perforadora en las áreas con marcas para aceptar los tornillos de ancla.
 - c. Maje los tornillos de ancla entre los agujeros preperforadoras.
 - d. Ponga el compresor de aire encima de tornillos de ancla.



INSTRUCCIONES DE PREPARACIÓN

CONEXIONES ELÉCTRICAS

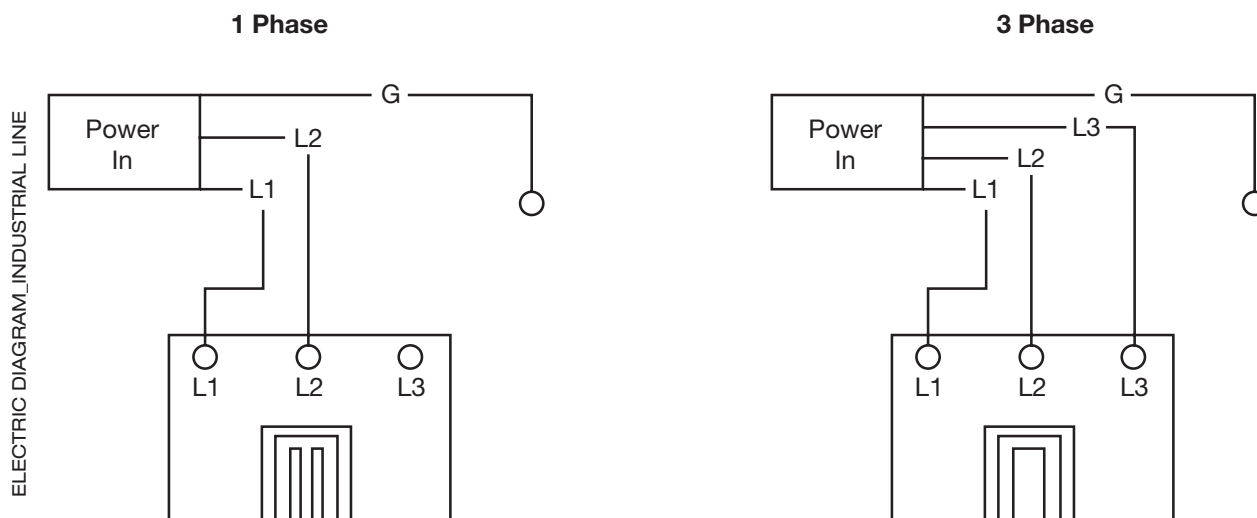
1. Un electricista cualificado tiene que abrochar el sistema eléctrico.
 - a. Verifique el suministro eléctrico a fuente de potencia está en 'OFF.'
 - b. Asegúrese que todos interruptores en Tablero de Control están en posición de OFF.
 - c. Haga conexiones a terminal como vea abajo.

⚠ PELIGRO: RIESGO DE ELECTROCUCION!

⚡ UNIÓN IMPROPIADA DEL CONDUCTOR QUE CONECTE EL EQUIPO A LA TIERRA PUEDE CAUSAR UN RIESGO DE CHOQUE O ELECTROCUCIÓN. COMPRUEBE CON UN ELECTRICISTA CALIFICADO O PERSONAL DE SERVICIO SI USTED TIENE DUDA EN CUANTO A SI LA SALIDA ESTÁ CORRECTAMENTE CONECTADA A LA TIERRA. EL ALAMBRE, CON EL AISLAMIENTO QUE TIENE UNA SUPERFICIE EXTERNA VERDE CON O SIN RAYAS AMARILLAS, ES EL ALAMBRE QUE CONECTA A LA TIERRA.

⚠ ADVERTENCIA: RIESGO DE DESCARGAS ELÉCTRICAS

⚡ ESTE PRODUCTO REQUIERE DE LA CONEXIÓN A TIERRA. EN CASO DE FUNCIONAMIENTO INCORRECTO O AVERÍAS, LA CONEXIÓN A TIERRA PROPORCIONA UN CAMINO DE MENOR RESISTENCIA PARA LA CORRIENTE ELÉCTRICA Y REDUCE EL RIESGO DE DESCARGAS ELÉCTRICAS.

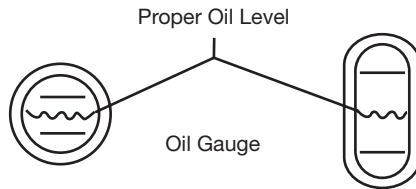


CONTROLES ANTES DEL ARRANQUE:

1. Controlar el nivel del aceite. Reponer si es necesario.
 - a. Para la lubricación apropiada el compresor no será usado debajo de mínimo o encima de las REVOLUCIONES POR MINUTO (RPM) máximas recomendadas para varios modelos.
 - b. Mantenga la cantidad de petróleo intermedio de las líneas superiores e inferiores del indicador de vista cárter (crankcase). Note la ilustración:
 - c. Pare el compresor para añadir y medir el petróleo.
 - d. No llene encima de la línea superior y no use el compresor con la cantidad de petróleo bajo de la línea inferior.
 - e. Cambie el petróleo las primeras 100 horas de uso y 1000 horas después, o cuando es necesario. Puede ser necesario cambiar el petróleo mas frecuente debido a condiciones húmedas y contaminadas anormales.

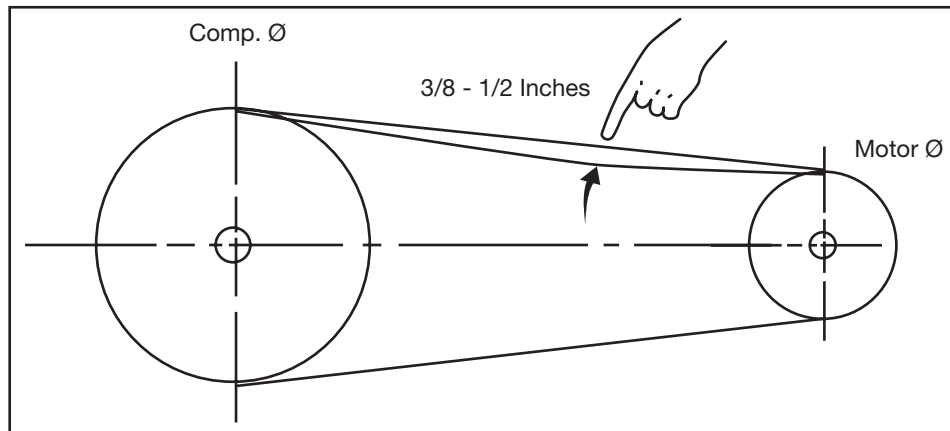
INSTRUCCIONES DE PREPARACIÓN

2. Comprobando la Tensión de Cinturón. Los v-cinturón(es) deben ser ajustados así que un descenso de 3/8-1/2 pulgada será obtenido cuando está empujado por un dedo al medio punto, como demostrado en la figura.



⚠ PRECAUCIÓN: APRETANDO DEMASIADO LOS V-CINTURON(ES) CAUSARÁ SOBRECARGADO DEL MOTOR Y EL FRACASO DEL CINTURÓN, MIENTRAS UN CINTURÓN FLOJO RESBALARÁ Y CAUSARÁ UNA VELOCIDAD INESTABLE, SOBRECALENTANDO EL CINTURÓN Y AMPERAJE ALTO.

Para cambiar la tensión, afloje los tornillos de sujeción, y deslice el motor en la base, usando una palanca si necesario, o voltee el tornillo de ajuste al extremo de la base. Reapriete los tornillos de sujeción.



Nota: No apriete demasiado los tornillos.

Nota: El Motor Eléctrico: Engrase una vez al año con un grado bueno de grasa de cojinete de litio, o como dirigido por el fabricante del motor.

3. Eliminar la condensación del depósito del compresor de aire. NO INTENTE JAMÁS abrir la válvula de descarga cuando hay más de 10 PSI de presión en el interior del depósito. Descargar la presión excesiva con una herramienta de aire, luego abrir la válvula de descarga del depósito de aire ubicada en la parte inferior del depósito. Cerrar bien una vez descargado.
4. Asegurarse que el Interruptor Motor del compresor de aire esté en la posición "OFF".
5. Asegurarse que todas las válvulas de seguridad funcionen correctamente.
6. Asegurarse que todas las protecciones de seguridad estén en su lugar y hayan sido montadas correctamente.

⚠ PELIGRO DE LESIONES AL CUERPO! NO INTENTE JAMÁS ABRIR LA VÁLVULA DE DESCARGA CUANDO HAY MÁS DE 10 PSI DE PRESIÓN EN EL INTERIOR DEL DEPÓSITO.

INSTRUCCIONES DE OPERACIÓN

OPERACIÓN:

1. Leer atentamente las advertencias de seguridad antes de efectuar esta operación.
2. a.) Mover el interruptor de motor/presión a posición de "AUTO".
b.) Haga girar el Interruptor de Leva en el sentido opuesto al de las manecillas del reloj a la posición de Arranque/Parada Automática.
3. En caso de ruidos o vibraciones anómalos, detener el compresor de aire y consultar la sección "Localización de Averías".

APAGAMIENTO:

1. Para apagar el compresor de aire,
 - a.) mover la palanca sobre la caja del interruptor de presión en al posición "OFF". o
 - b.) Haga girar el Interruptor de Leva a la media posición "DESCONECTADA."
2. Descargar el aire de los depósitos de aire, por medio de una herramienta conectada o tirando los anillos de la válvula de seguridad.
3. Una vez que la presión en el interior de los depósitos de aire es inferior a 10 libras, abrir la válvula de descarga debajo de cada depósito de aire para eliminar la humedad.
4. Dejar enfriar el compresor de aire, y entonces límpielo.

INSTRUCCIONES DE MANTENIMIENTO

Leer el manual de instrucciones antes de efectuar cualquier operación de mantenimiento. Las operaciones descritas a continuación deben ser llevadas a cabo cuando el compresor se apaga por mantenimiento o reparaciones.

1. Apagar el compresor de aire.
2. Abrir todas las descargas después de marcar el indicador del tanque bajo de 10 PSI.
3. Esperar que el compresor de aire se haya enfriado antes de comenzar las operaciones.



ADVERTENCIA: RIESGO DE LESION!

NO SUPONGA JAMÁS QUE EL COMPRESOR DE AIRE NO PUEDA CAUSAR LESIONES SÓLO PORQUE NO ESTÁ FUNCIONANDO. PODRÍA ARRANCAR EN CUALQUIER MOMENTO.

AC Ele. Maintenance Chart Spanish

TABLA DE MANTENIMIENTO				
OPERACIÓN	DIARIA	SEMANAL	MENSUAL	200 HORAS
Controlar el nivel del aceite de la bomba	X			
Inspeccionar que no haya pérdidas de aceite	X			
Descargar la condensación del depósito/s de aire	X			
Controlar el cubierta/tapa	X			
Controlar que no hay ruidos/vibraciones anómalos	X			
Inspeccionar que no hay fugas de aire	X			
Limpiar el compresor de aire exteriormente		X		
Controlar el filtro del aire		X		
Controlar el correa			X	
Controlar la válvula de seguridad			X	
Cambiar el aceite de la bomba*				X
Sustituir el filtro del aire				X

*EL ACEITE DE LA BOMBA DEBE CAMBIARSE DESPUÉS DE 100 HORAS DE TRABAJO Y CADA 1000 HORAS O 3 MESES, SEGÚN LA CONDICIÓN QUE OCURRA ANTES. CADA DOS AÑOS, UN TÉCNICO AUTORIZADO DE SERVICIO DEBE INSPECCIONAR LA VÁLVULA, VÁLVULAS DE ENTRAR Y VÁLVULAS DE LIBERAR.

LOCALIZACIÓN DE AVERÍAS

SÍNTOMA

El motor no se enciende o no vuelve a encenderse

CAUSA (S) POSIBLE (S)

El interruptor motor/presión está en la posición "OFF"
 El interruptor magnetotérmico está activado
 Se han fundido los plomos o se ha activado el interruptor automático
 El motor tensión y transformador no hace juego
 La presión del aire en el depósito supera la presión de activación del interruptor motor/presión
 La válvula de escarga de la presión en el interruptor motor/presión no ha descargado la presión de la culata de la bomba
 La válvula de válvula a inspeccionar está abierto y no puede cerrar
 El motor, el condensador motor, el interruptor motor/presión o la válvula de retención no funciona correctamente
 Cantidad de Petróleo Bajo (si la unidad está equipada con un Sensor de Petróleo Bajo)

SOLUCIÓN

Mover el interruptor en la posición "AUTO".
 Apagar el compresor de aire, esperar que el motor se enfríe, luego presionar firmemente el botón (rojo) del magnetotérmico motor hasta oír
 Sustituir los plomos o restablecer el interruptor automático. Controlar que el fusible disponga de los amperios correctos.
 Controlar las condiciones de baja tensión.
 Desconectar cualquier otro equipo eléctrico del circuito o hacer funcionar el compresor de aire en su propia sección del circuito
 Llame al servicio al cliente
 El motor se enciende automáticamente cuando la presión en el depósito de aire es inferior a la presión de activación del interruptor motor/presión
 Descargar la línea, colocando el interruptor en la posición "OFF"
 Remove y limpie o reemplace
 Llame al servicio al cliente
 Añada el petróleo a la bomba.

El compresor de aire no arranca, pero el motor hace ruido y entonces apaga.

Conexión electrical suelta.
 Demasiado aparatos que está operando al mismo circuito
 Voltaje incorrecto, talla incorrecta de cortacircuitos, plomo, o motor. Motor defectivo
 Lálvula de retención es defectuosa y el interruptor motor/presión es defectuoso

Llame a un electricista calificado
 Use un otro circuito o remova los aparatos excesivos del circuito
 Llame un electricista calificado
 Reemplace

El compresor de aire no parar. aun cuando la maxima de presión que permitir se alcanzado.

Interruptor de motor/presión no funciando correcto.

Reemplace

SÍNTOMA	LOCALIZACIÓN DE AVERÍAS CAUSA (S) POSIBLE (S)	SOLUCIÓN
Funcionamiento ruidoso.	<p>Polea de motor flojo o rueda volante de bomba.</p> <p>Falta aceite en la bomba.</p> <p>Residuos de carbono en los pistones o en las válvulas.</p> <p>Avería del cojinete, pistón o biela.</p>	<p>Apriete la polea y/o la rueda volante.</p> <p>Reponer la cantidad de aceite necesaria. Controlar que los cojinetes no se hayan dañado.</p> <p>Desmontar e inspeccionar la culata del cilindro. Limpiar y sustituir</p> <p>PARAR EL COMPRESOR! Póngase en contacto con la Asistencia Clientes</p>
Abajo de presión en tanque de aire o abajo de presión rápidamente cuando el compresor de aire está apagado.	<p>Los accesorios no han sido apretados bien.</p> <p>La válvula de retención y la válvula piloto es defectuosa.</p> <p>Fugas de aire del depósito de aire.</p>	<p>Permita que el compresor de aire aumente presión a la máxima permitida. Apague y cepille una solución de agua jabonosa en todas las conexiones. Inspeccione las conexiones para burbujas de aire. Apriete las conexiones donde hay fugas o escapes.</p> <p>Desmontar, limpiar o sustituir.</p> <p>Sustituir el depósito de aire. No intentar reparar el depósito!</p>
Presión insuficiente en la herramienta o en los accesorios.	<p>Fugas de aire.</p> <p>Filtro aspiración aire obstruido.</p> <p>Pipa, los tubos o los empalmes de los tubos son demasiado pequeños o largos.</p> <p>El compresor de aire no produce la capacidad de aire requerida.</p> <p>Las resbalaban de correa.</p> <p>Válvula piloto restringida.</p>	<p>Localizar las fugas y reparar.</p> <p>Limpiar o sustituir.</p> <p>Sustituir con tubos o empalmes más grandes.</p> <p>Controlar el requisito de aire del accesorio. Si es superior al CMF o a la presión suministrada or el compresor de aire, es necesario usar un compresor más grande.</p> <p>Haga mas apretado o reemplace.</p> <p>Limpiar o reemplace.</p>
El aire sale de la válvula de seguridad.	<p>La válvula de seguridad probablemente es defectuosa.</p> <p>La presión de aire en el depósito es excesiva.</p>	<p>Activar la válvula de seguridad manualmente tirando del anillo. Si el aire sigue saliendo, debe ser sustituida. Interruptor motor/presión defectuoso.</p>
Fugas de aire en la bomba.	<p>Juntas defectuosas.</p>	<p>Reemplace el Interruptor de Motor/Presión. Limpie, reinicie o reemplace la Válvula Piloto..</p>
El aire sigue saliendo de la válvula de descarga del interruptor motor/presión mientras el motor está en marcha.	<p>El interruptor motor/presión es defectuoso.</p>	<p>Tuerca los tornillos de cabeza a 19.5 pies/libre para Etapa Sola y 33.2 para 2 etapa.</p> <p>Sustituir.</p>

LOCALIZACIÓN DE AVERÍAS

SÍNTOMA

CAUSA (S) POSIBLE (S)

SOLUCIÓN

Aire soplando de filtro de toma de aire (no uso continuo).

Averia de válvula de entrada (lengüeta).

Remove y limpie o reemplace

Cuando en opción de Encender/Parar, el motor funciona sin interrupciones.

El interruptor motor/presión no apaga el motor cuando el compresor de aire alcanza la presión de desactivación y la válvula de seguridad se activa.

Colocar el interruptor motor/presión en la posición "OFF". Si el motor no se apaga, desconectar el compresor de aire. Si los contactos eléctricos están soldados entre sí, sustituir el interruptor de presión.

La capacidad del compresor de aire es insuficiente.

Limitar la presión del aire a la capacidad del compresor de aire. Usar una herramienta que requiera una presión inferior o un compresor de aire con una capacidad superior.

Condensación en el aire de descarga

Condensación en el depósito de aire debido a una elevada humedad atmosférica.

Vaciar el depósito de aire después de cada empleo. Vaciar el depósito de aire más frecuentemente en climas húmedos y usar un filtro en la línea de aire.

Excesivo consumo de aceite en la bomba.

Filtro aspiración aire obstruido
Compresor de aire sobre superficie no nivelada.

Limpiar o sustituir.

No inclinar el compresor de aire a un ángulo superior a 10° en ninguna dirección mientras esté en marcha

Cárter demasiado lleno de aceite.

Vaciar el aceite. Reponer con aceite hasta el nivel apropiado.

Viscosidad incorrecto.

Elimina el aceite. Llene al nivel correcto con SAE-30W aceite sin detergente.

Ventilación de la varilla indicadora de nivel aceite atascada.

Limpiar.

Pérdidas de aceite.

Apriete los tornillos de la bomba al par (torque) en la Lista de Piezas, o reemplace las juntas.

Anillos del pistón desgastados o cilindro rayado.

Ponerse en contacto con la Asistencia Clientes

Petróleo tiene la apariencia de leche.

Agua en el petróleo debido a la condensación.

Elimina el aceite. Llene al nivel correcto con SAE-30W aceite sin detergente.

Unidad funcionar hacía atras.

Instalacion de electrica se reverso

Ponerse en contacto con una electricista cualificado



DECLARACIÓN DE GARANTÍA

Mi-T-M® garantiza que todas las piezas (excepto aquellas a las que se hace referencia abajo), de su nueva lavadora a presión libres de defectos en materiales y mano de obra durante los periodos siguientes:

Por dos (2) años a partir de la fecha original de compra::

Cañerías Asamblea de Tanque

Por Cinco (5) años de la fecha de la compra original: Los primeros tres (3) años a 100%, el cuarto (4) año a 90%, y el quinto (5) año a 80%.

La Bomba Compresor

Por seis (6) mes a partir de la fecha original de compra:

Interrupotr de Presión Reguladores
Válvula de revisar Válvula de piloto
Linea de cobre/acero inoxidable

Por noventa (90) días a partir de la fecha original de compra:

Indicadores de presión Válvula de alivio de seguridad
Válvulas De Desagüe

Las piezas defectuosas que no están sujetas a deterioro causado por el uso serán reparadas o reemplazadas a nuestra opción durante el periodo de garantía. En todo caso, el reembolso está limitado al precio de compra pagado.

EXCLUSIONES

1. El motor está cubierto bajo una garantía separada proporcionada por el fabricante respectivo y está sujeta a los términos en ella establecidos.
2. Partes de desgaste normal:
Aisladores Filtro de aire
3. Esta garantía no cubre las piezas dañadas debido al deterioro normal causado por el uso, mala aplicación, mal uso, operación a velocidades, presiones o temperaturas diferentes a las recomendadas. Las piezas dañadas o gastadas a causa del uso de líquidos cáusticos o por la operación en medios ambientes abrasivos o corrosivos o bajo condiciones que causan cavitación de la bomba no están garantizadas. La falla en seguir los procedimientos recomendados de operación y mantenimiento también cancela la garantía.
4. Cobras de trabajar, perdido o daññ reultando de operación mala, mantenimiento (otro de descarga de tanque de aire rutina y cambios de aceite si aplica) o reparaciones hace por personas otro de Mi-T-M Centro de servicio autorizado.
5. El uso de piezas de repuesto diferentes a las genuinas Mi-T-M cancelará la garantía. Las piezas devueltas, con franqueo pagado a un Centro de Servicio Autorizado Mi-T-M serán inspeccionadas y reemplazadas, libre de cargos, si se determina que están defectuosas y sujetas a la garantía. No existen garantías que se extiendan más allá de la descripción contenida aquí. Bajo ninguna circunstancia Mi-T-M®Corporation será responsable por la pérdida de uso de la unidad, pérdida de tiempo, inconvenientes, pérdida comercial o daños consecuentes.

PARA SERVICIO O CONSIDERACION DE LA GARANTIA CONSULTE CON:

Mi-T-M® Corporation, 50 Mi-T-M Drive, Peosta, IA 52068

Telefono: 563-556-7484/Telefone gratis en los

EE. UU.: 800-553-9053/Fax 563-556-1235

Lunes - Viernes 8:00 a.m. - 5:00 p.m. CST

Manufactured by Mi-T-M
50 Mi-T-M Drive, Peosta IA 52068
563-556-7484/ Fax 563-556-1235